

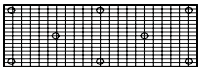
# DURA-SHELF™ ASSEMBLY INSTRUCTIONS

## 24" x 66"

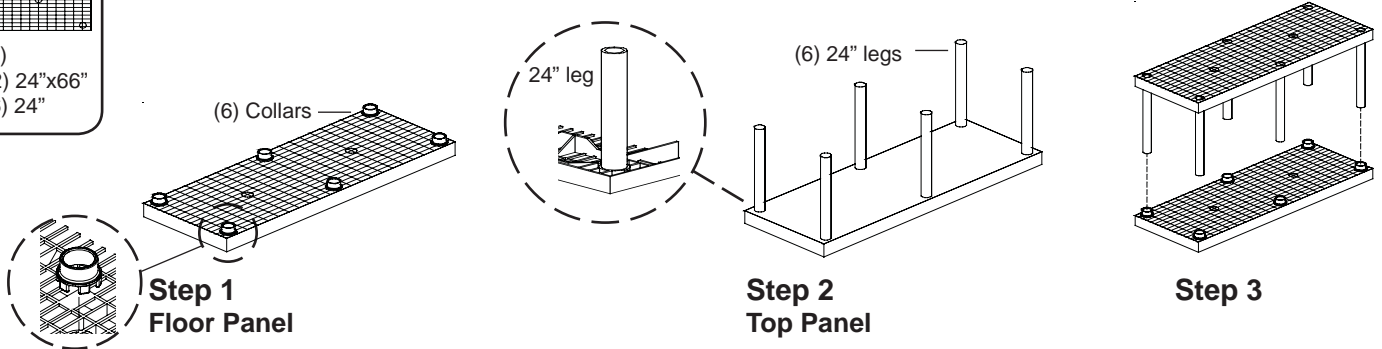
Oil all sockets before assembly

### COMPONENTS:

#### 2-Shelf System

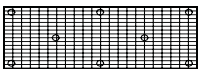


**Collars:** (6)  
**Panels:** (2) 24"x66"  
**Legs:** (6) 24"

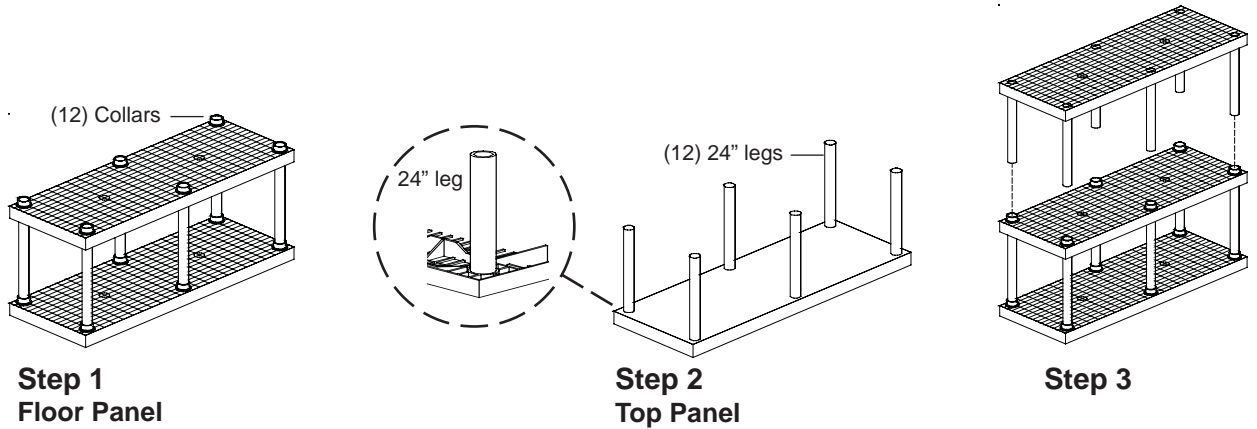


### COMPONENTS:

#### 3-Shelf System

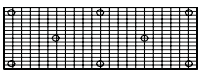


**Collars:** (12)  
**Panels:** (3) 24"x66"  
**Legs:** (12) 24"

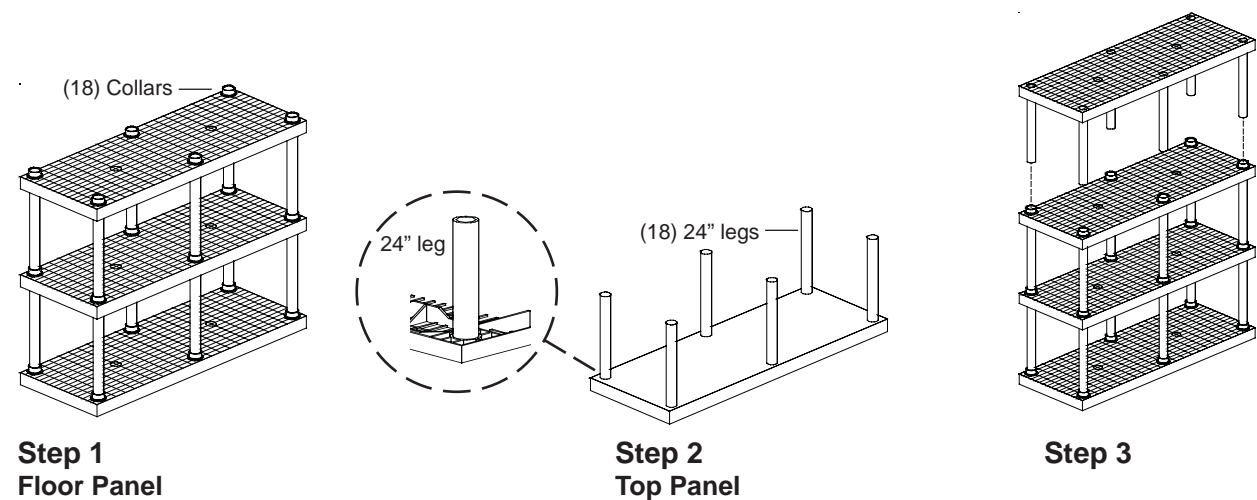


### COMPONENTS:

#### 4-Shelf System



**Collars:** (18)  
**Panels:** (4) 24"x66"  
**Legs:** (18) 24"



### Step 1

Place (1) 24"x66" panel on the floor and insert collars over outside sockets as shown.

### Step 2

Invert the next level panels and insert 24" legs into outside sockets as shown.

### Step 3

Return panel with 24" legs to upright position and insert legs into sockets in Collars. Repeat steps 1 through 3 for multi-level configurations.