

Features and Benefits

- Thermoplastic design eliminates process and atmospheric corrosion.
- Pressure rated up to 150 psi, non-shock water at 73° F
- **100% Leak Tested**
- **Both White and Gray have Sch 80 wall thickness.**
- **Polished PVC Ball ensures smooth turning and longer service life.**
- Socket dimensions meet ASTM standard PVC: D-2467
- FIPT x FIPT version: Threads meet ASTM standard D-2464, ANSI B1.20.1
- PVC Material meets ASTM D-1784. (Body, Ball & Stem)
- Full Port Sch 80 in sizes ½, ¾, 1, 2 ½, 3 & 4
- Standard Port Sch 80 in sizes 1 ¼, 1 ½ & 2
- Bi-directional: can be installed in either direction.



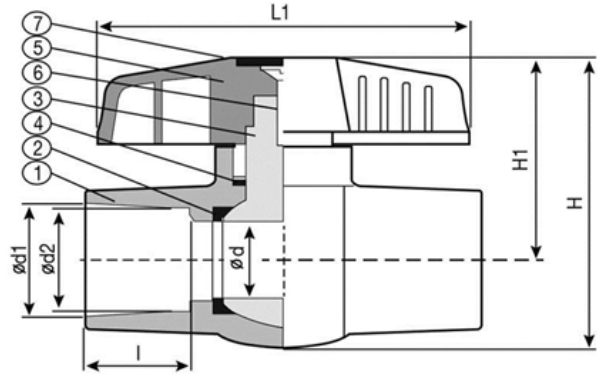
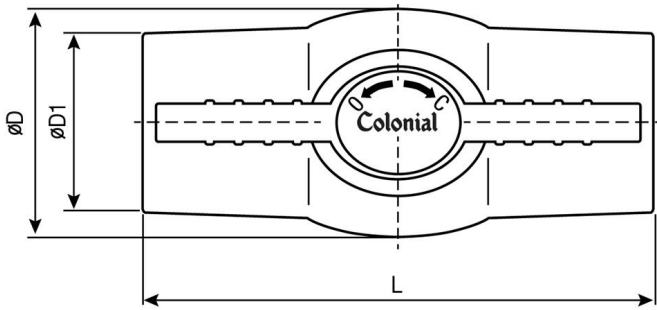
Do not use with compressed air or gas.

All PVC Compact MIP Ball Valves are NOT created equal

MIP Compact Valves answer the need for an economically priced compact quarter turn ball valve for use in irrigation, water treatment, pool/spa, and commercial plumbing applications. Available in 1/2 - 4" sizes



Revised 2/5/21



	1/2"	3/4"	1"	1-1/4"	1-1/2"	2"	2-1/2"	3"	4"
d1	0.848	1.058	1.325	1.670	1.912	2.387	2.889	3.516	4.518
d2	0.836	1.046	1.310	1.655	1.894	2.369	2.868	3.492	4.491
l	0.875	1.000	1.125	1.250	1.375	1.500	1.750	1.875	2.250
D	1.496	1.929	2.244	2.480	2.953	3.622	4.331	5.236	6.693
D1	1.181	1.496	1.772	2.126	2.441	3.031	3.622	4.173	5.315
d	0.551	0.787	0.984	1.181	1.417	1.831	2.362	3.031	3.976
L	3.268	3.740	4.173	4.488	5.118	5.787	8.031	9.016	11.81
L1	2.756	3.465	3.937	3.937	4.291	5.276	7.008	8.819	10.87
H	2.441	3.071	3.661	3.858	4.528	5.315	6.299	7.480	9.173
H1	1.693	2.126	2.559	2.638	3.071	3.504	4.134	4.882	5.827

No.	Part	Material	Qty
1	Body	PVC	1
2	Seat	Santoprene	2
3	Ball	PVC	1
4	O-ring	EPDM	1
5	Handle	ABS	1
6	Bolt	Zinc Plated Steel	1
7	Cap	ABS	1

Pressure rated at 150 psi non-shock water at 73°F. If operating temperature will exceed 73°, then reduce the pressure according to the chart below. NR = not-recommended.

Temp (F°)	73	80	90	100	110	120	130	140	150
De-rate by	1.00	0.88	0.75	0.62	0.50	0.40	0.30	0.22	NR

