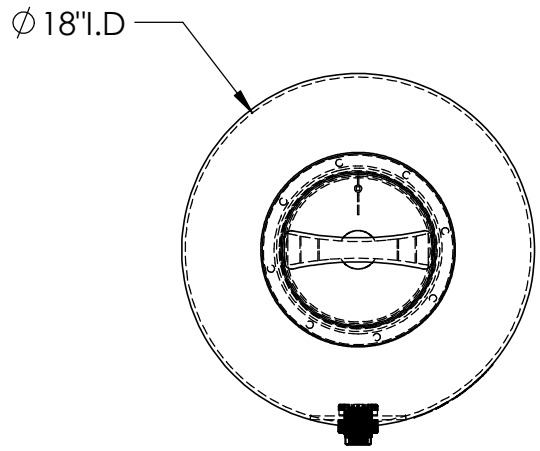
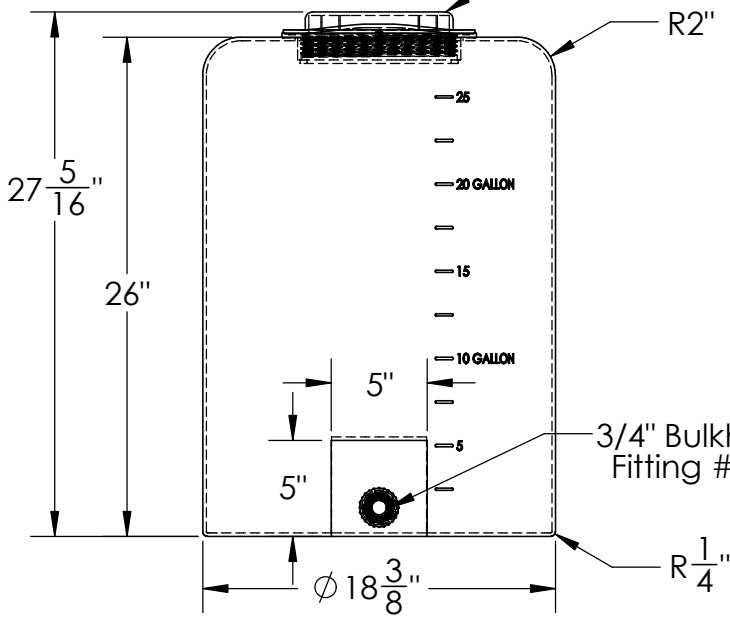
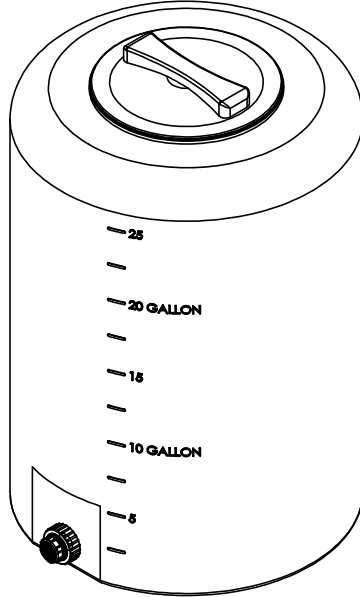


Catalog option:
Tank Stand #5061



8" Lid & Ring Assembly
#970228



3/4" Bulkhead PP
Fitting #970233

Tamco Vertical Closed
Head Tank w/
8" Lid & 3/4" Fitting



1390 Neubrecht Road
Lima, Ohio 45801

DIMENSIONS ARE IN INCHES TOLERANCE: ± 1/4"		NAME	DATE
MATERIAL	LLDPE - FDA resin	DRAWN	NJV 7/10/24
CAPACITY	25 US gal.	APPROVED	
GRADUATIONS	2-1/2 gal.	COMMENTS: Natural, Black, Blue UV Stabilized	
NOMINAL WALL THICKNESS	3/16"		

STOCK NO.	REV
3493, 3534 5165	A
DO NOT SCALE DRAWING	WEIGHT: 18 lbs.

PROPRIETARY AND CONFIDENTIAL
THE INFORMATION CONTAINED IN THIS
DRAWING IS THE SOLE PROPERTY OF
TAMCO. ANY REPRODUCTION IN PART
OR AS A WHOLE WITHOUT THE WRITTEN
PERMISSION OF TAMCO IS PROHIBITED.

MAX. OPERATING TEMP. 140°F
INTERMITTENT SERVICE TO 160°F
SEE CHEMICAL RESISTANCE
CHART FOR COMPATIBILITY