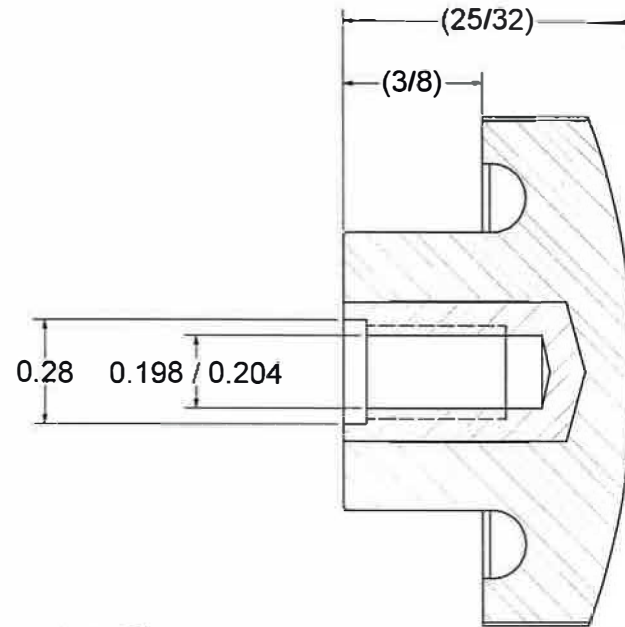
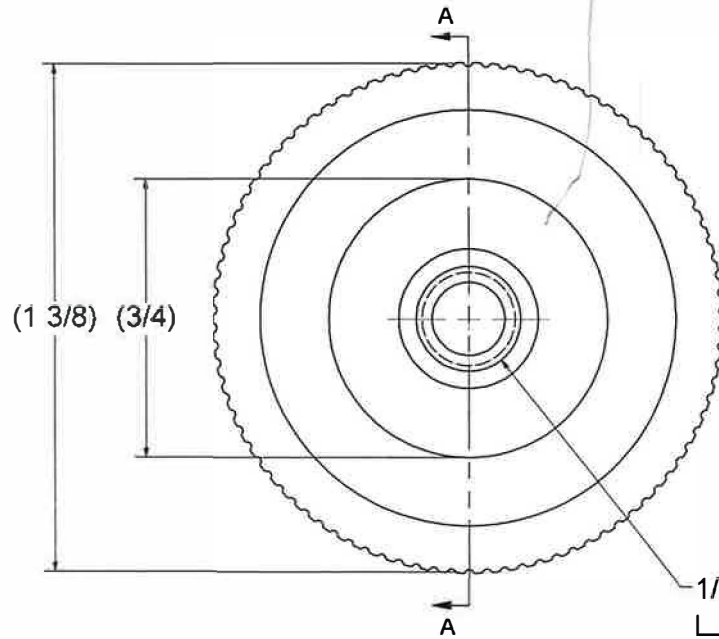


REVISION HISTORY			
REV	DESCRIPTION	DATE	APPROVED
	REDRAWN WITHOUT CHANGES - MWS	3/7/2006	



1/4-20 UNC - 2B  $\nabla$  7/16  
 $\square$   $\varnothing$ 1/4  $\nabla$  1/16

SECTION A-A  
 SCALE 4 : 1



UNCONTROLLED DOCUMENT

MATERIAL-	PHENOLIC BLACK AND BRASS	DRAWN	mws	3/7/2006	
FINISH-	TUMBLE	CHECKED			
UNLESS OTHERWISE SPECIFIED TOLERANCES		QA			
FRACTIONAL +/- .020 (+/- .5mm) .XX +/- .020 (+/- .5mm) .XXX +/- .005 (+/- .13mm)		MFG			TITLE
		APPROVED	<i>[Signature]</i>	5/15/06	#228 KNOB W/ 1/4-20 UN 2B X 7/16
		WEIGHT			SIZE
					DWG NO
					2-228-301
					REV
					SHEET 1 OF 1

CONFIDENTIAL  
 THIS DRAWING AND ITS INFORMATION IS THE PROPERTY OF DIMCO-GRAY CO. ALL UNAUTHORIZED USE AND REPRODUCTION IS PROHIBITED. INFORMATION CONTAINED HEREIN, SHALL NOT BE USED OR SUPPLIED TO OTHER VENDORS.