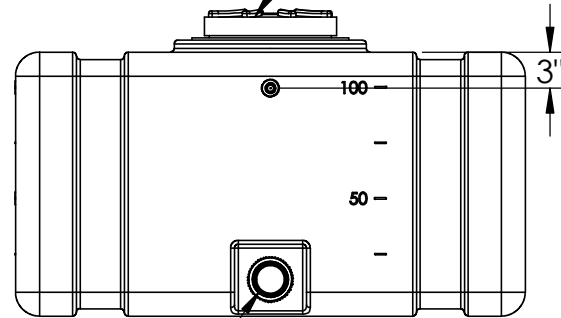


#23143  
3/4" MIPT Float Valve

#970185  
12.5" Lid & Flange Assembly



#970211  
2" Bulkhead Polypropylene Fitting

100 Gal Utility Tank with  
Lid, Fitting & Float Valve



1390 Neubrecht Road  
Lima, Ohio 45801

STOCK NO.

90314

REV

A

DO NOT SCALE DRAWING

WEIGHT: 48 lbs.

DIMENSIONS ARE IN INCHES  
TOLERANCE: ± 1/4"

MATERIAL  
LLDPE - FDA resin

CAPACITY  
100 Gal

GRADUATIONS  
25 Gal

NOMINAL WALL THICKNESS  
1/4"

	NAME	DATE
DRAWN	NJV	3/14/24
APPROVED		
REVISIONS		

COMMENTS:  
Natural  
UV Stabilized

**PROPRIETARY AND CONFIDENTIAL**

THE INFORMATION CONTAINED IN THIS  
DRAWING IS THE SOLE PROPERTY OF  
TAMCO. ANY REPRODUCTION IN PART  
OR AS A WHOLE WITHOUT THE WRITTEN  
PERMISSION OF TAMCO IS PROHIBITED.

MAX. OPERATING TEMP. 140°F  
INTERMITTENT SERVICE TO 160°F  
SEE CHEMICAL RESISTANCE  
CHART FOR COMPATIBILITY