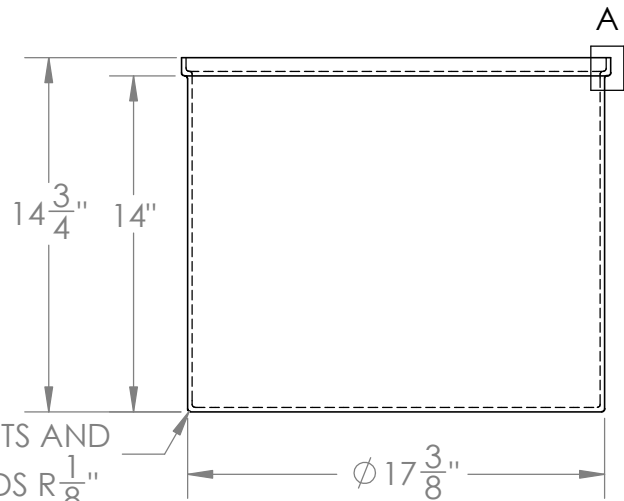
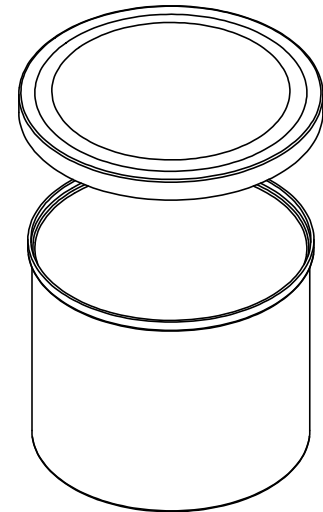
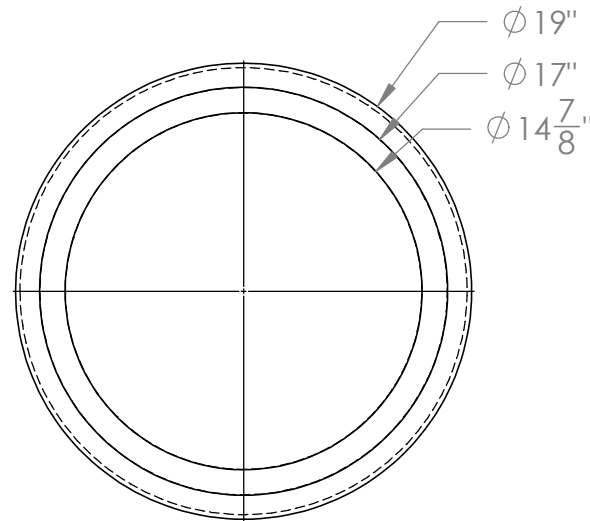


DETAIL B



ALL FILETS AND  
ROUNDS  $R\frac{1}{8}$ "

Molded Polyethylene  
Shallow Tank #10070



1390 Neubrecht Road  
Lima, Ohio 45801

DIMENSIONS ARE IN INCHES TOLERANCE: $\pm 1/4$ "		NAME	DATE
MATERIAL	LLDPE - FDA resin	DRAWN	CDH 06/15/16
CAPACITY	14 US gal.	APPROVED	BAT 07/14/16
GRADUATIONS	NO	COMMENTS:	
NOMINAL WALL THICKNESS	3/16"	NONE	

STOCK NO.	10070	REV	A
DO NOT SCALE DRAWING		WEIGHT: 9 lbs.	

**PROPRIETARY AND CONFIDENTIAL**

THE INFORMATION CONTAINED IN THIS DRAWING IS THE SOLE PROPERTY OF TAMCO. ANY REPRODUCTION IN PART OR AS A WHOLE WITHOUT THE WRITTEN PERMISSION OF TAMCO IS PROHIBITED.

MAX. OPERATING TEMP. 140°F  
INTERMITTENT SERVICE TO 160°F  
SEE CHEMICAL RESISTANCE  
CHART FOR COMPATIBILITY