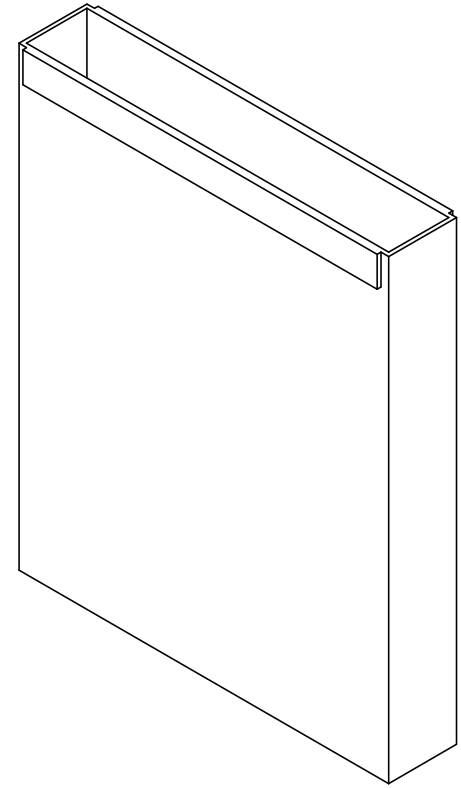
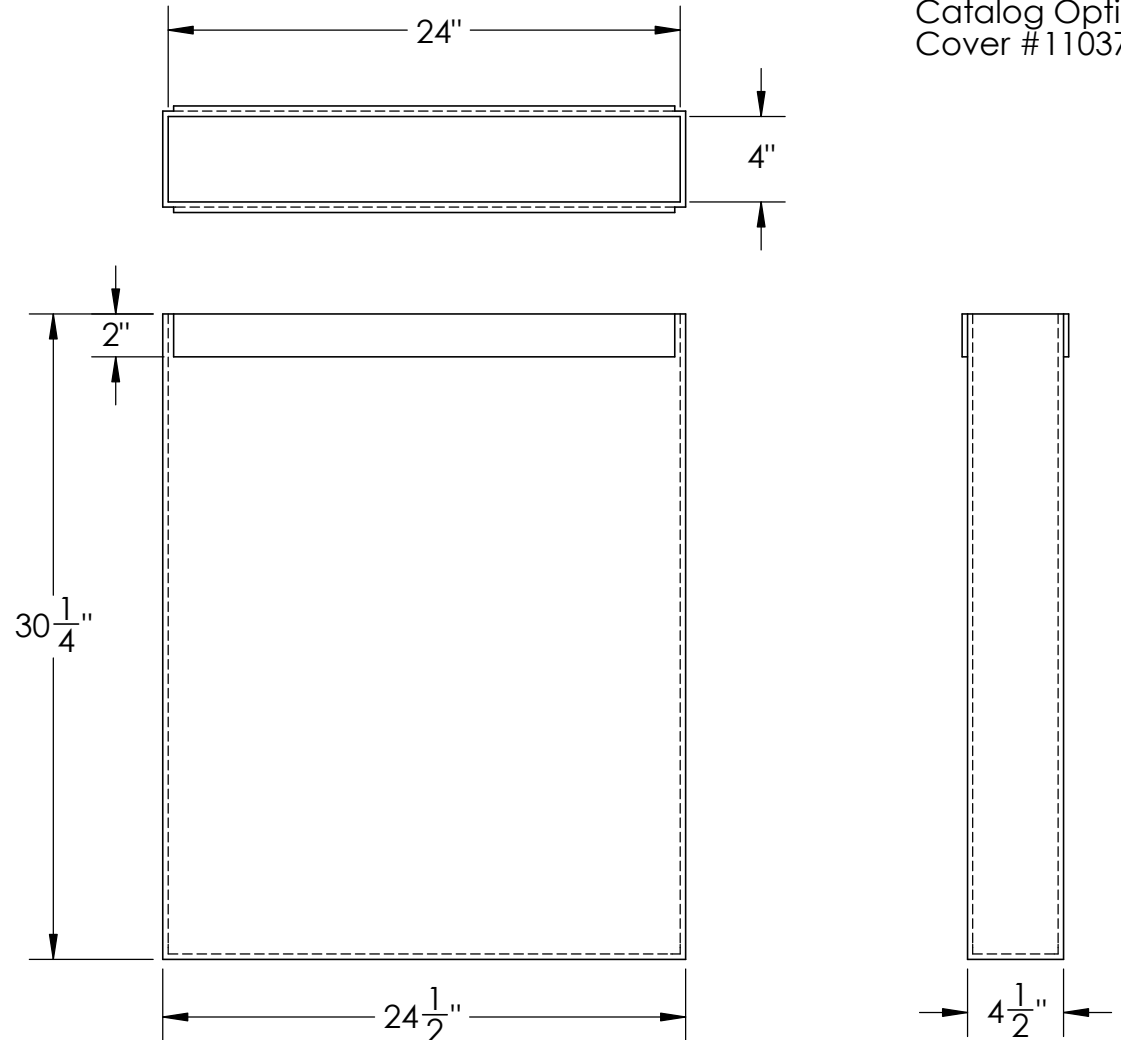


Catalog Options:  
Cover #11037



Polyethylene Tank  
#11210



1390 Neubrecht Road  
Lima, Ohio 45801

STOCK NO.	11210	REV	A
DO NOT SCALE DRAWING		WEIGHT: 17.5 lbs.	

DIMENSIONS ARE IN INCHES TOLERANCE: ± 1/4"			
MATERIAL	Welded PE	DRAWN	JMP
CAPACITY	12.5 US gal.	APPROVED	
GRADUATIONS	NO	DATE	6/24/19
NOMINAL WALL THICKNESS	1/4"	COMMENTS: Welded Construction	

**PROPRIETARY AND CONFIDENTIAL**  
THE INFORMATION CONTAINED IN THIS DRAWING IS THE SOLE PROPERTY OF TAMCO. ANY REPRODUCTION IN PART OR AS A WHOLE WITHOUT THE WRITTEN PERMISSION OF TAMCO IS PROHIBITED.

MAX. OPERATING TEMP. 200°F  
SEE CHEMICAL RESISTANCE CHART FOR COMPATABILITY