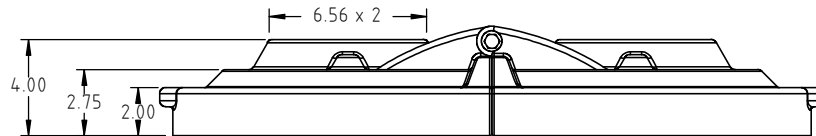
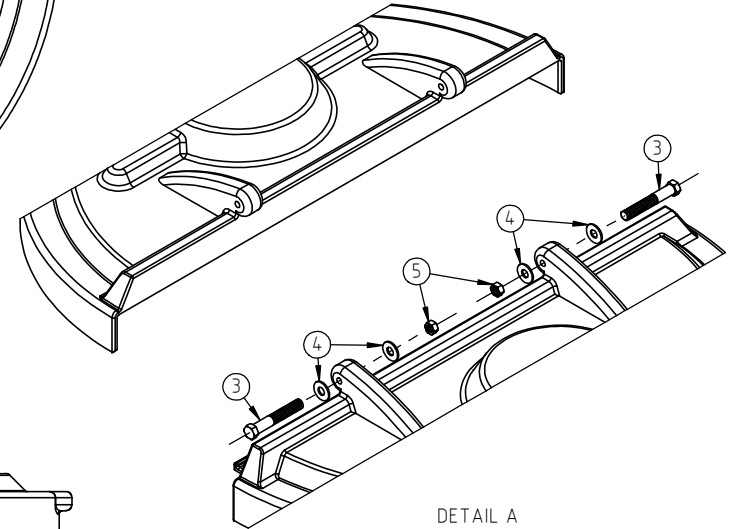
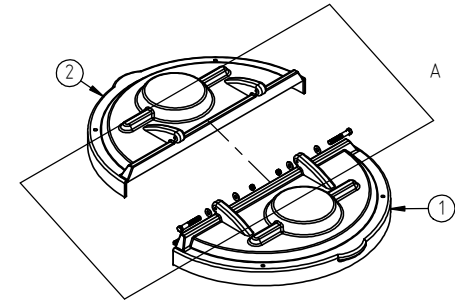
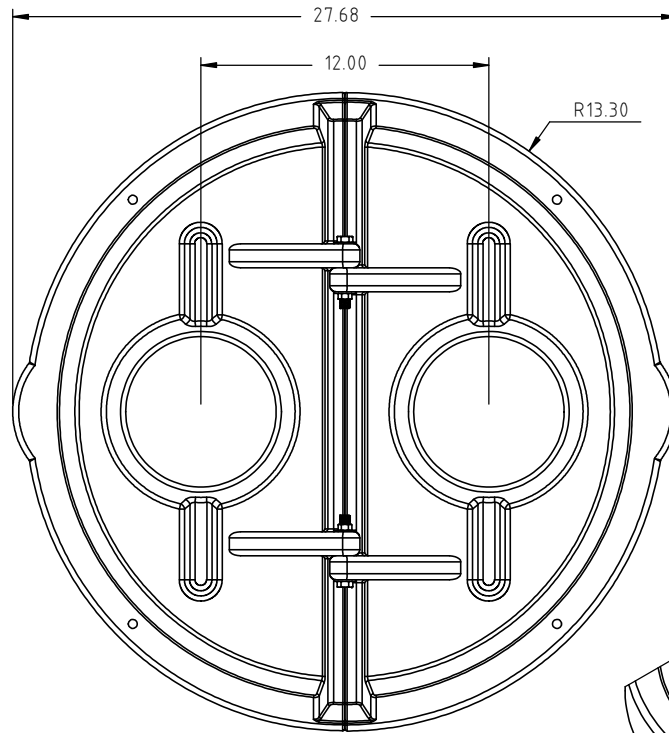


Copyright. All information furnished within this document, electronic file or design correspondence is the property of Den Hartog Industries, Inc. and shall not be used, disclosed to others or copied without the expressed written consent of Den Hartog Industries, Inc.

KEY	PART NUMBER	DESCRIPTION	QTY.
1	19500	23" HINGED LID-MALE	1
2	19501	23" HINGED LID-FEMALE	1
3	13221	BOLT, 5/16" X 2 3/4"	2
4	10320	WASHER, 5/16" FLAT ZINC	4
5	10280	NUT, 5/16" NYLOK ZINC	2



DETAIL A
SCALE 1: 8

				DRAWN / DATE ADH 10/19/10	MATERIAL
				APPROD. / DATE REH 10/25/10	
REV	DESCRIPTION	BY / DATE	CCN	SHOT WEIGHT:	NOTES:
				SHIPPING WEIGHT: 8.00 LBS	
				FINISH:	
ALL DIMENSIONS ARE IN DECIMAL INCHES TOLERANCES UNLESS OTHERWISE SPECIFIED POLYETHYLENE ±1% @ 68°F		THIRD ANGLE PROJECTION ANSI 14.5M 			



Den Hartog
INDUSTRIES, INC.

Acra Roto-Mold Injection Molding Blow Molding Sowjoy

4010 HOSPERS DRIVE S. BOX 425, HOSPERS, IOWA 51238-0425

DESCRIPTION	23" HINGED LID ASSEMBLY	
SCALE	N.S.	PART NO. 19502