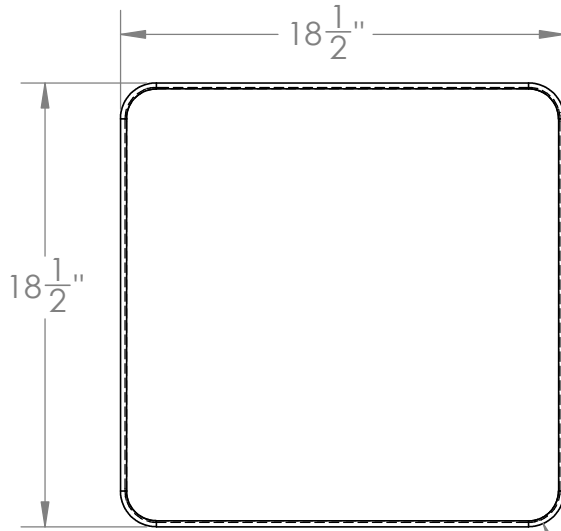
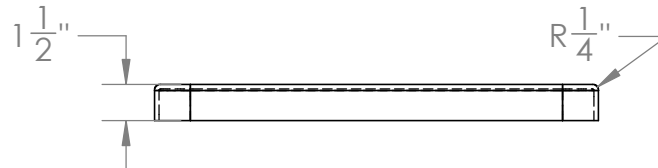
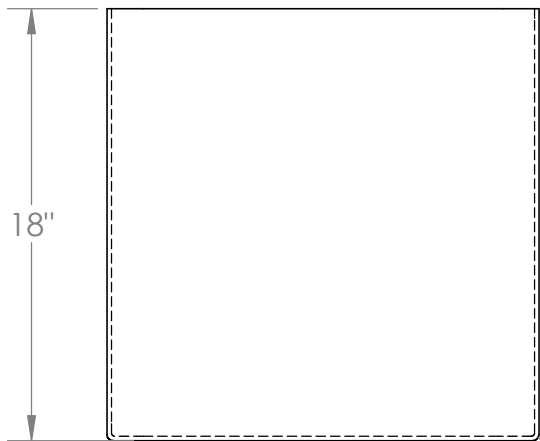
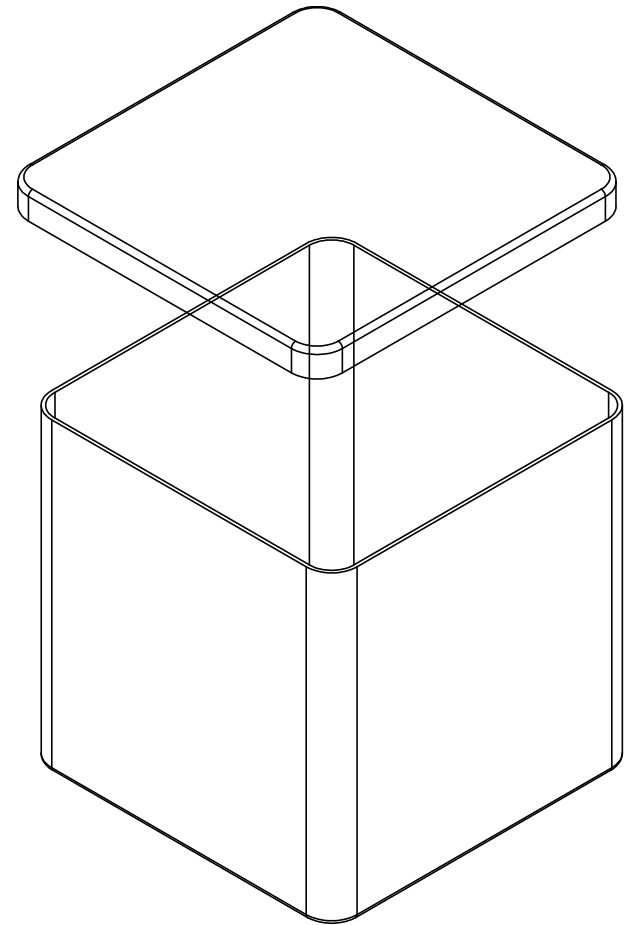


TANK



LID



18"L x 18"W x 18"H Heavy Duty
Natural Square Tank



1390 Neubrecht Road
Lima, Ohio 45801

PROPRIETARY AND CONFIDENTIAL
THE INFORMATION CONTAINED IN THIS DRAWING IS THE SOLE PROPERTY OF TAMCO. ANY REPRODUCTION IN PART OR AS A WHOLE WITHOUT THE WRITTEN PERMISSION OF TAMCO IS PROHIBITED.

MAX. OPERATING TEMP. 140°F
INTERMITTENT SERVICE TO 160°F
SEE CHEMICAL RESISTANCE CHART FOR COMPATABILITY

DIMENSIONS ARE IN INCHES TOLERANCE: ± 1/4"		NAME	DATE
MATERIAL	LLDPE - FDA resin	DRAWN	CDH 08/19/16
CAPACITY	25 US gal.	APPROVED	
GRADUATIONS	NO	REVISIONS	ZAK 05/15/17
NOMINAL WALL THICKNESS	1/4"	COMMENTS: Translucent UV Stabilized	

STOCK NO.	REV
14449	A
DO NOT SCALE DRAWING	WEIGHT: 10lbs.