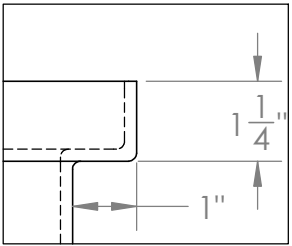
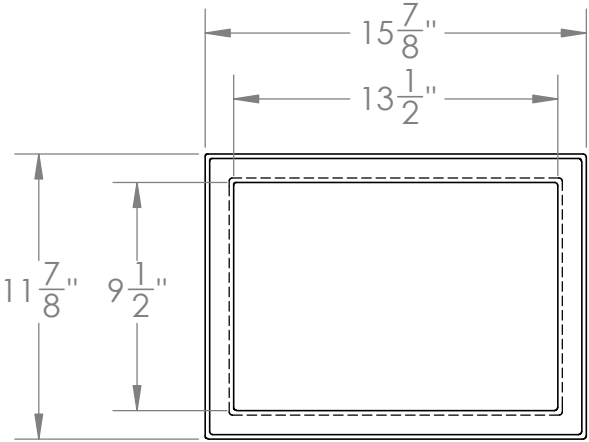
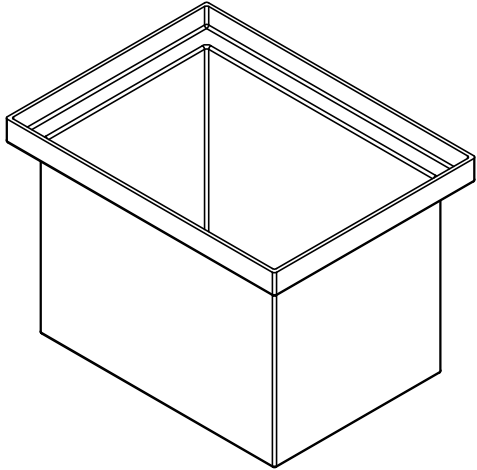
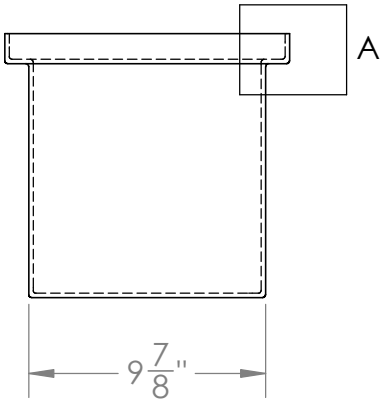
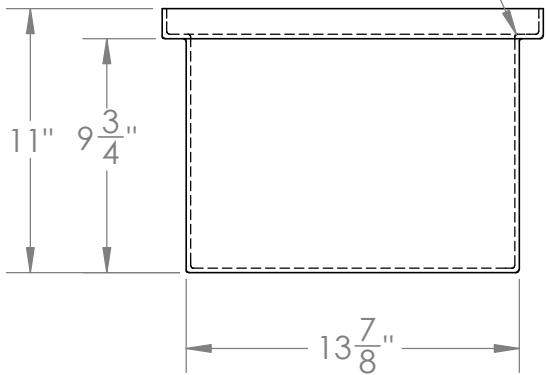


Catalog options:  
Cover #14563



DETAIL A

ALL FILLETS AND  
ROUNDS R $\frac{1}{8}$ "



Heavy Duty Polyethylene  
Tank w/ Internal Flange #14545



**PROPRIETARY AND CONFIDENTIAL**  
THE INFORMATION CONTAINED IN THIS DRAWING IS THE SOLE PROPERTY OF TAMCO. ANY REPRODUCTION IN PART OR AS A WHOLE WITHOUT THE WRITTEN PERMISSION OF TAMCO IS PROHIBITED.

MAX. OPERATING TEMP. 140°F  
INTERMITTENT SERVICE TO 160°F  
SEE CHEMICAL RESISTANCE  
CHART FOR COMPATABILITY

DIMENSIONS ARE IN INCHES TOLERANCE: ± 1/4"		NAME	DATE
MATERIAL	LLDPE - FDA resin	DRAWN	CDH 06/13/16
CAPACITY	6 US gal.	APPROVED	BAT 07/14/16
GRADUATIONS	NO	REVISED	ZAK 07/17/17
NOMINAL WALL THICKNESS	3/16"	COMMENTS: Black UV Stabilized	

STOCK NO.	REV
14545	A
DO NOT SCALE DRAWING	WEIGHT: 7 lbs.