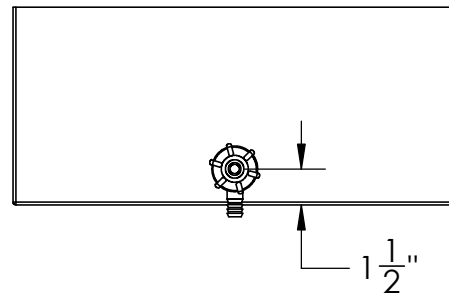
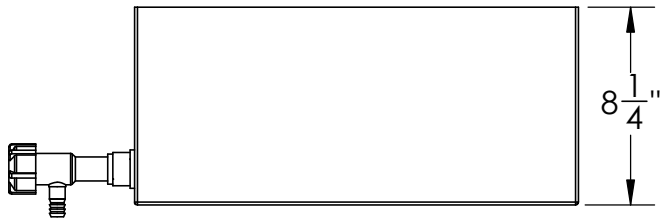
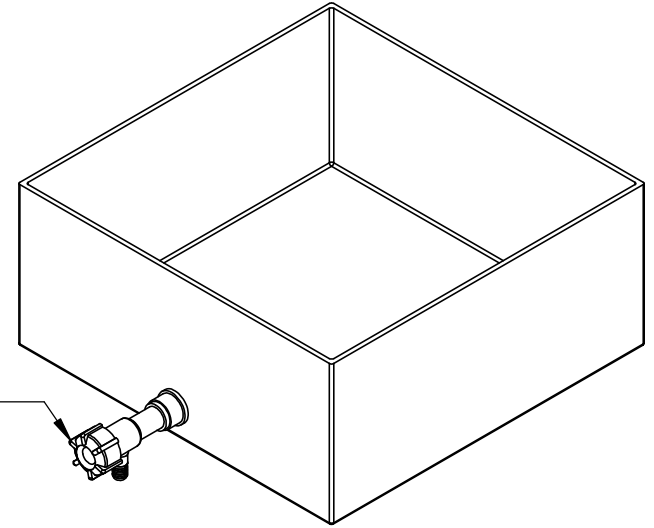


3/4" NPT HDPE  
Flow Spigot #16482



Polyethylene Tray/Tip  
Plating Tank #14731



1390 Neubrecht Road  
Lima, Ohio 45801

STOCK NO.

14731

REV

A

DO NOT SCALE DRAWING

WEIGHT: 8.5 lbs.

DIMENSIONS ARE IN INCHES TOLERANCE: ± 1/4"		NAME	DATE
MATERIAL WELDED PE		DRAWN JMP	10/22/18
CAPACITY N/A		APPROVED	
GRADUATIONS N/A		COMMENTS: Other tray sizes, special partitions, flanges, outlets, etc. are available	
NOMINAL WALL THICKNESS 1/4"			

**PROPRIETARY AND CONFIDENTIAL**  
THE INFORMATION CONTAINED IN THIS  
DRAWING IS THE SOLE PROPERTY OF  
TAMCO. ANY REPRODUCTION IN PART  
OR AS A WHOLE WITHOUT THE WRITTEN  
PERMISSION OF TAMCO IS PROHIBITED.

MAX. OPERATING TEMP. 140°F  
INTERMITTENT SERVICE TO 160°F  
SEE CHEMICAL RESISTANCE  
CHART FOR COMPATABILITY