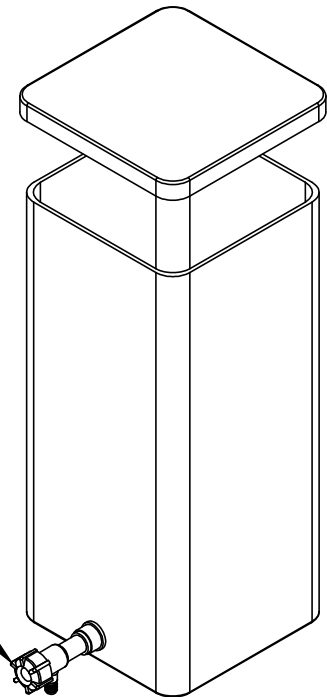
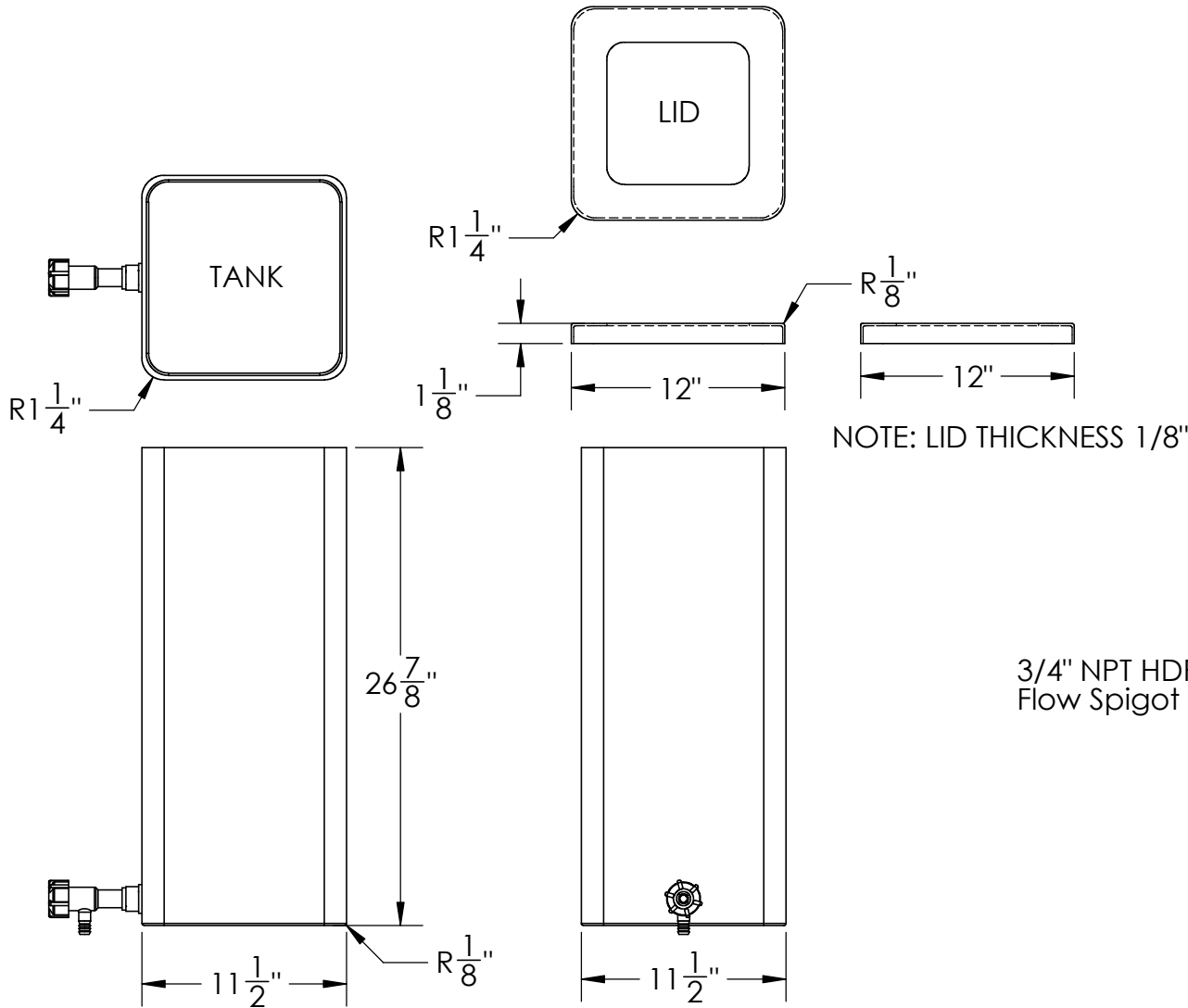


Catalog option:
Floating cover #10243



3/4" NPT HDPE
Flow Spigot #16482

Heavy Duty Polyethylene
Chemical Storage Tank
w/ Cover & Spigot #14795



1390 Neubrecht Road
Lima, Ohio 45801

STOCK NO.	REV
14795	A
DO NOT SCALE DRAWING	WEIGHT: 13 lbs.

DIMENSIONS ARE IN INCHES TOLERANCE: ± 1/4"	NAME	DATE
MATERIAL LLDPE - FDA resin	DRAWN JMP	11/29/18
CAPACITY 15 US gal.	APPROVED	
GRADUATIONS NO	COMMENTS: Translucent UV Stabilized	
NOMINAL WALL THICKNESS 1/4"		

PROPRIETARY AND CONFIDENTIAL
THE INFORMATION CONTAINED IN THIS DRAWING IS THE SOLE PROPERTY OF TAMCO. ANY REPRODUCTION IN PART OR AS A WHOLE WITHOUT THE WRITTEN PERMISSION OF TAMCO IS PROHIBITED.

MAX. OPERATING TEMP. 140°F
INTERMITTENT SERVICE TO 160°F
SEE CHEMICAL RESISTANCE CHART FOR COMPATIBILITY