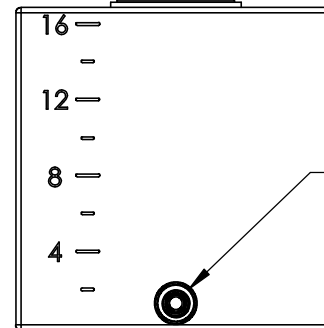
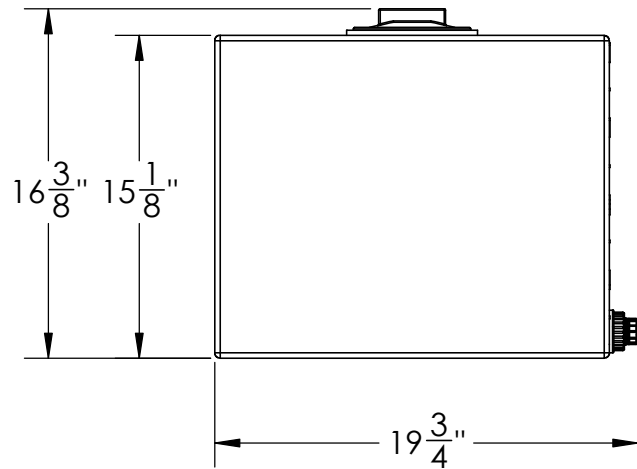


Lid and Flange Assembly



3/4" Polypropylene Bulkhead Fitting

Blue Rectangular Utility Tank
#15764



1390 Neubrecht Road
Lima, Ohio 45801

STOCK NO.
15764

REV
A

DO NOT SCALE DRAWING

WEIGHT: 10 lbs.

| | | | |
|---|-----------|-----------------------|----------|
| DIMENSIONS ARE IN INCHES TOLERANCE: ± 1/4" | DRAWN | NAME | DATE |
| MATERIAL LLDPE - FDA resin | APPROVED | JMP | 01/12/21 |
| CAPACITY 16 Gallon | REVISIONS | | |
| GRADUATIONS 2 Gallon | COMMENTS: | Blue UV Stabilized | |
| NOMINAL WALL THICKNESS 3/16" | | | |

PROPRIETARY AND CONFIDENTIAL

THE INFORMATION CONTAINED IN THIS DRAWING IS THE SOLE PROPERTY OF TAMCO. ANY REPRODUCTION IN PART OR AS A WHOLE WITHOUT THE WRITTEN PERMISSION OF TAMCO IS PROHIBITED.

MAX. OPERATING TEMP. 140°F
INTERMITTENT SERVICE TO 160°F
SEE CHEMICAL RESISTANCE
CHART FOR COMPATIBILITY