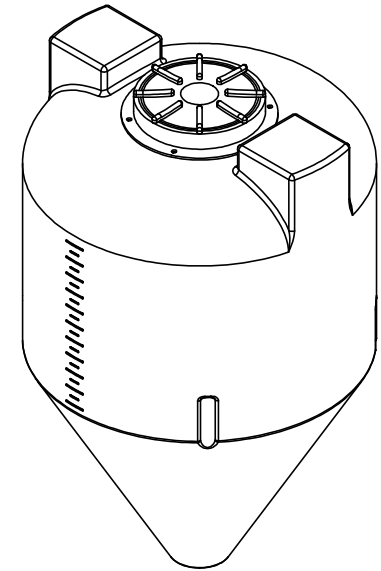


Catalog options: Tank Stand #8695
2" FPT Boss Fitting welded to bottom of tank

1st Gal Mark = 25 Gal
last Gal Mark = 75 Gal



Polyethylene 60° Cone
Bottom Graduated Tank
#16203



1390 Neubrecht Road
Lima, Ohio 45801

STOCK NO.	REV
16203	A
DO NOT SCALE DRAWING	WEIGHT: 37 lbs.

DIMENSIONS ARE IN INCHES TOLERANCE: $\pm 1/4"$	NAME	DATE
MATERIAL LLDPE - FDA resin	DRAWN JMP	11/22/22
CAPACITY 75 US gal.	APPROVED BAT	11/22/22
GRADUATIONS 2.5 Gal per mark	COMMENTS: Translucent UV Stabilized	
NOMINAL WALL THICKNESS 3/16"		

PROPRIETARY AND CONFIDENTIAL
THE INFORMATION CONTAINED IN THIS DRAWING IS THE SOLE PROPERTY OF TAMCO. ANY REPRODUCTION IN PART OR AS A WHOLE WITHOUT THE WRITTEN PERMISSION OF TAMCO IS PROHIBITED.

MAX. OPERATING TEMP. 140°F
INTERMITTENT SERVICE TO 160°F
SEE CHEMICAL RESISTANCE CHART FOR COMPATABILITY