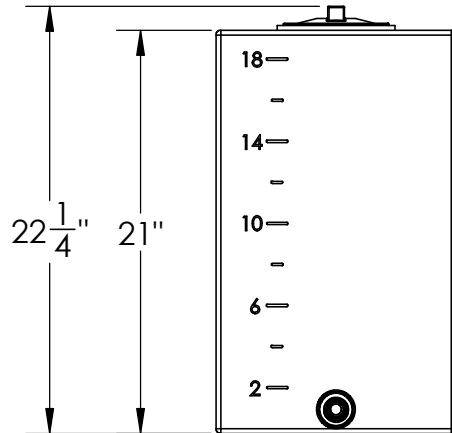
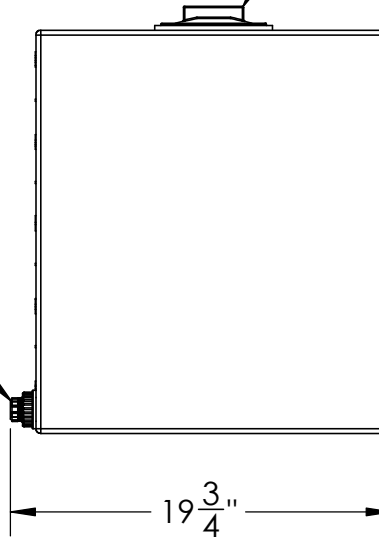


Lid and Flange Assembly



3/4" Bulkhead PP Tank Fitting



Natural Rectangular Utility Tank  
#17398



1390 Neubrecht Road  
Lima, Ohio 45801

STOCK NO.  
**17398**

REV  
**A**

DO NOT SCALE DRAWING

WEIGHT: 11.5 lbs.

DIMENSIONS ARE IN INCHES TOLERANCE: ± 1/4"		NAME	DATE
MATERIAL	LLDPE - FDA resin	DRAWN	JMP 01/12/21
CAPACITY	18 Gallon	APPROVED	
GRADUATIONS	2 Gallon	REVISIONS	
NOMINAL WALL THICKNESS	3/16"	COMMENTS: Natural UV Stabilized	

**PROPRIETARY AND CONFIDENTIAL**

THE INFORMATION CONTAINED IN THIS DRAWING IS THE SOLE PROPERTY OF TAMCO. ANY REPRODUCTION IN PART OR AS A WHOLE WITHOUT THE WRITTEN PERMISSION OF TAMCO IS PROHIBITED.

MAX. OPERATING TEMP. 140°F  
INTERMITTENT SERVICE TO 160°F  
SEE CHEMICAL RESISTANCE CHART FOR COMPATIBILITY