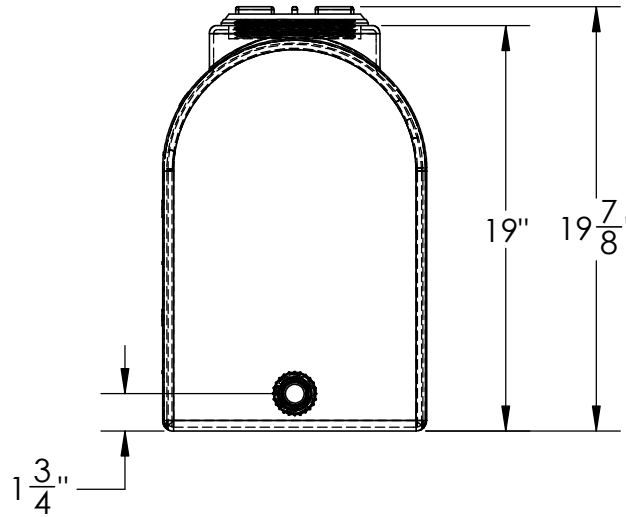
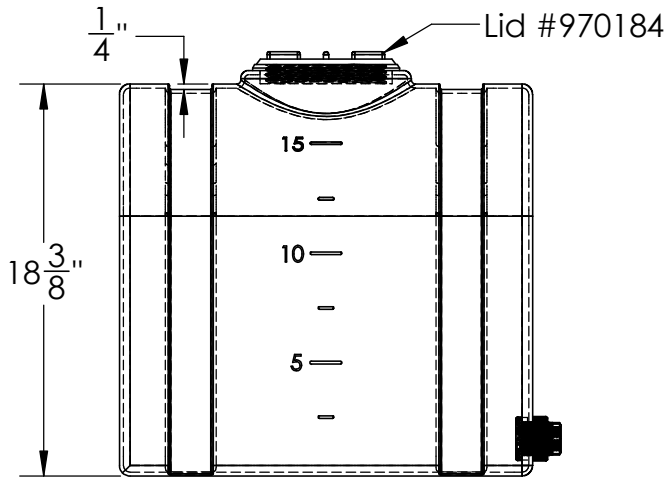
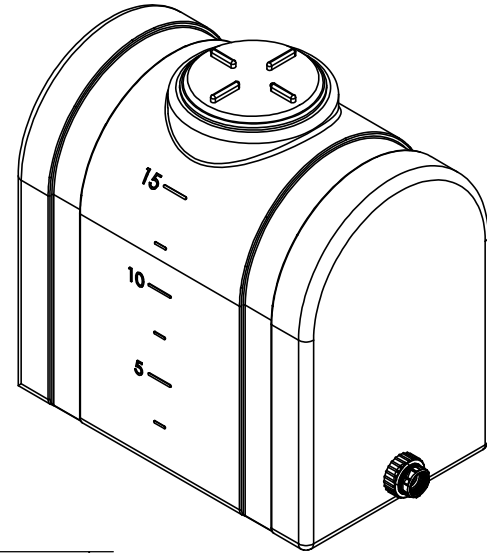


3/4" PP Bulkhead Tank Fitting



Black 15 Gal Loaf Tank



1390 Neubrecht Road
Lima, Ohio 45801

STOCK NO.	17875	REV	A
DO NOT SCALE DRAWING		WEIGHT: 10 lbs.	

DIMENSIONS ARE IN INCHES TOLERANCE: ± 1/4"		NAME	DATE
MATERIAL	LLDPE - FDA resin	DRAWN	JMP 03/11/21
CAPACITY	15 Gallon	APPROVED	
GRADUATIONS	2.5 Gallon	REVISIONS	
NOMINAL WALL THICKNESS	3/16"	COMMENTS: UV Stabilized Black	

PROPRIETARY AND CONFIDENTIAL
THE INFORMATION CONTAINED IN THIS DRAWING IS THE SOLE PROPERTY OF TAMCO. ANY REPRODUCTION IN PART OR AS A WHOLE WITHOUT THE WRITTEN PERMISSION OF TAMCO IS PROHIBITED.

MAX. OPERATING TEMP. 140°F
INTERMITTENT SERVICE TO 160°F
SEE CHEMICAL RESISTANCE CHART FOR COMPATIBILITY