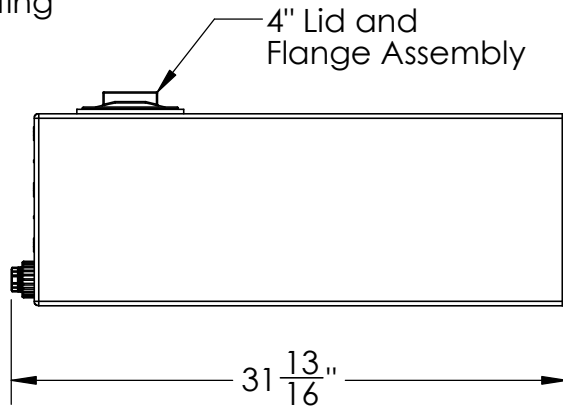
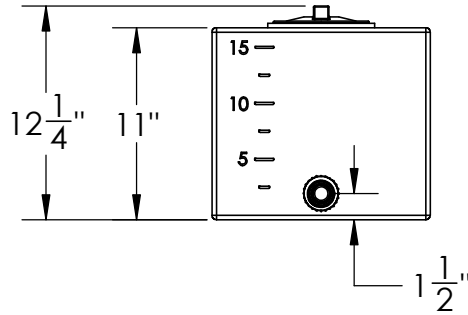
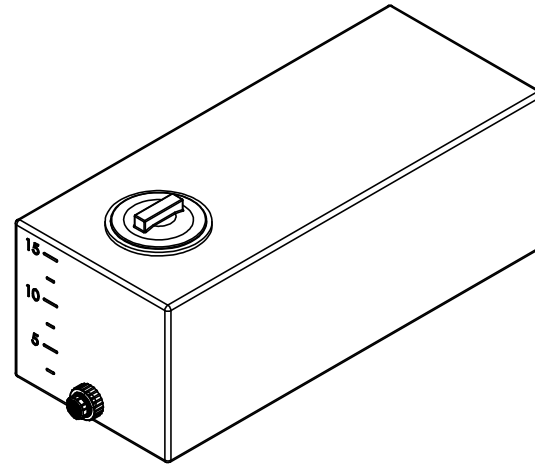


3/4" FNPT Fitting



Natural, Black & Blue  
Rectangular Utility Tank



1390 Neubrecht Road  
Lima, Ohio 45801

STOCK NO.	REV
17994, 17996, 17997	A
DO NOT SCALE DRAWING	WEIGHT: 15 lbs.

DIMENSIONS ARE IN INCHES TOLERANCE: ± 1/4"		NAME	DATE
MATERIAL	LLDPE - FDA resin	DRAWN	NJV 1/16/25
CAPACITY	15 Gallon	APPROVED	
GRADUATIONS	2.5 Gallon	REVISIONS	
NOMINAL WALL THICKNESS	3/16"	COMMENTS: Natural, Black & Blue UV Stabilized	

**PROPRIETARY AND CONFIDENTIAL**  
THE INFORMATION CONTAINED IN THIS DRAWING IS THE SOLE PROPERTY OF TAMCO. ANY REPRODUCTION IN PART OR AS A WHOLE WITHOUT THE WRITTEN PERMISSION OF TAMCO IS PROHIBITED.

MAX. OPERATING TEMP. 140°F  
INTERMITTENT SERVICE TO 160°F  
SEE CHEMICAL RESISTANCE CHART FOR COMPATIBILITY