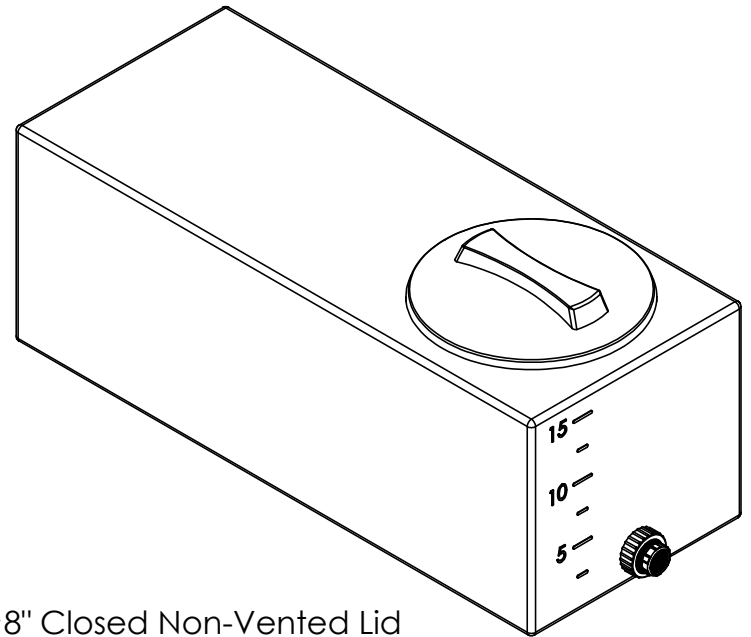
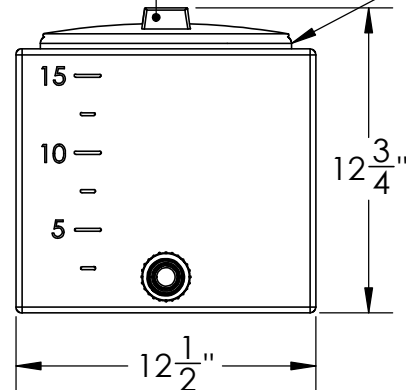
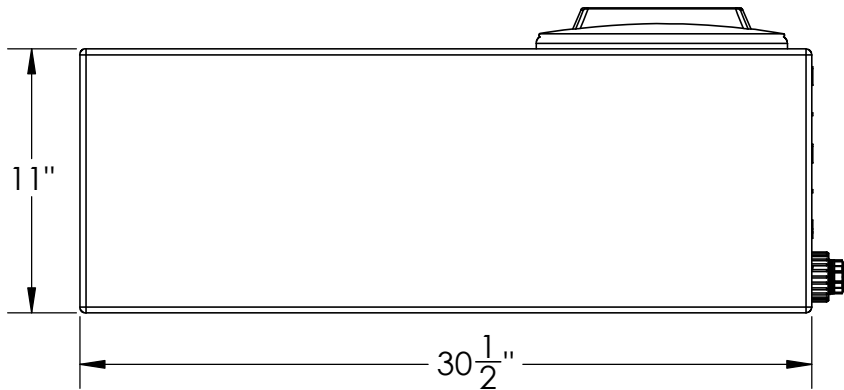


3/4" Bulkhead PP Fitting #970233



8" Closed Non-Vented Lid #970325

8" Lid Ring with Gasket #970326



Rectangular Utility Tank w/ Fitting & Gasketed Ring & Lid



1390 Neubrecht Road
Lima, Ohio 45801

STOCK NO.
23677, 23679, 23680

REV
A

DO NOT SCALE DRAWING

WEIGHT: 15 lbs.

DIMENSIONS ARE IN INCHES TOLERANCE: ± 1/4"		NAME	DATE
MATERIAL	LLDPE - FDA resin	DRAWN	NJV 1/16/25
CAPACITY	15 Gallon	APPROVED	
GRADUATIONS	2.5 Gallon	REVISIONS	
NOMINAL WALL THICKNESS	3/16"	COMMENTS: Natural, Black, Blue UV Stabilized	

PROPRIETARY AND CONFIDENTIAL
THE INFORMATION CONTAINED IN THIS DRAWING IS THE SOLE PROPERTY OF TAMCO. ANY REPRODUCTION IN PART OR AS A WHOLE WITHOUT THE WRITTEN PERMISSION OF TAMCO IS PROHIBITED.

MAX. OPERATING TEMP. 140°F
INTERMITTENT SERVICE TO 160°F
SEE CHEMICAL RESISTANCE CHART FOR COMPATIBILITY