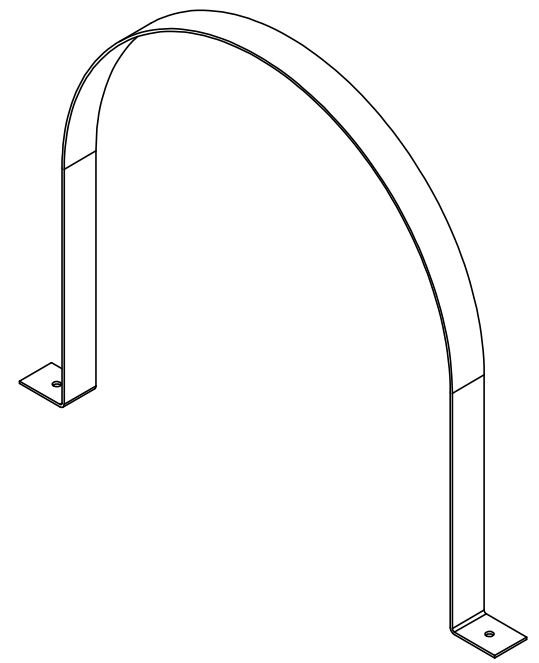
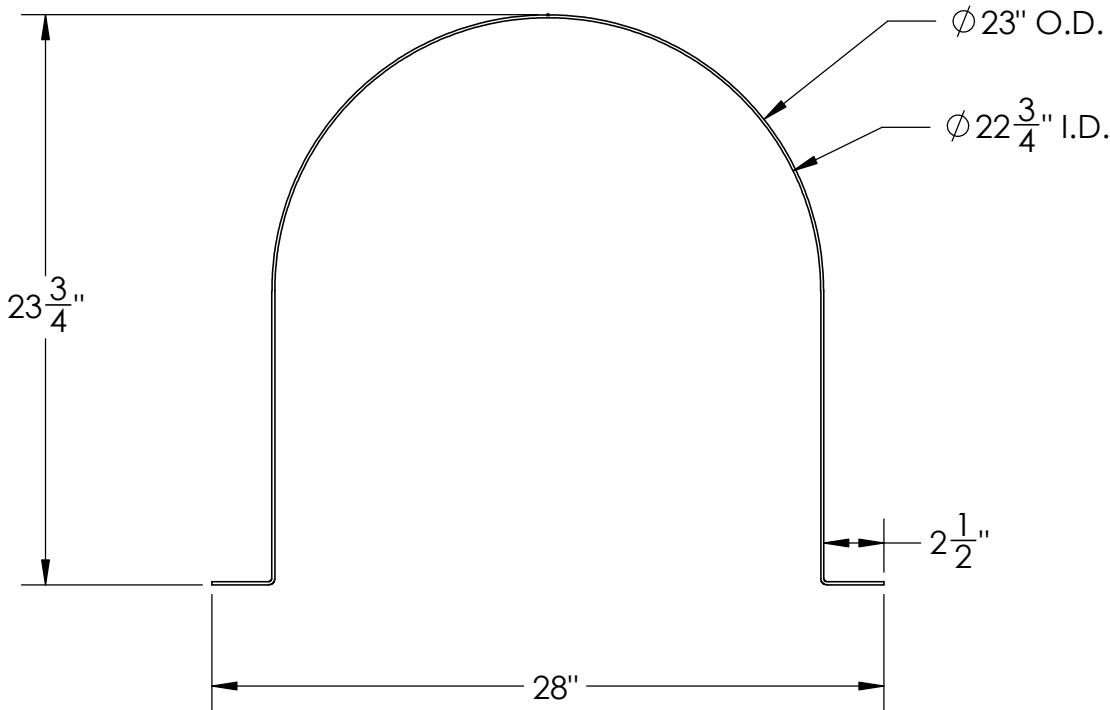


For Tanks: 18046, 18047



Band for 55 Gal Leg Tank #18052

TAMCO
INDUSTRIES
1390 Neubrecht Road
Lima, Ohio 45801

PROPRIETARY AND CONFIDENTIAL
THE INFORMATION CONTAINED IN THIS DRAWING IS THE SOLE PROPERTY OF TAMCO. ANY REPRODUCTION IN PART OR AS A WHOLE WITHOUT THE WRITTEN PERMISSION OF TAMCO IS PROHIBITED.

MAX. OPERATING TEMP. 140°F
INTERMITTENT SERVICE TO 160°F
SEE CHEMICAL RESISTANCE CHART FOR COMPATIBILITY

DIMENSIONS ARE IN INCHES TOLERANCE: $\pm 1/4$ "		NAME	DATE
MATERIAL	Steel	DRAWN	JMP 04/29/21
CAPACITY	N/A	APPROVED	
GRADUATIONS	N/A	REVISIONS	
NOMINAL WALL THICKNESS	1/8"	COMMENTS: Blue Powder Coated	

STOCK NO.	REV
18052	A
DO NOT SCALE DRAWING	WEIGHT: 4.5 lbs.