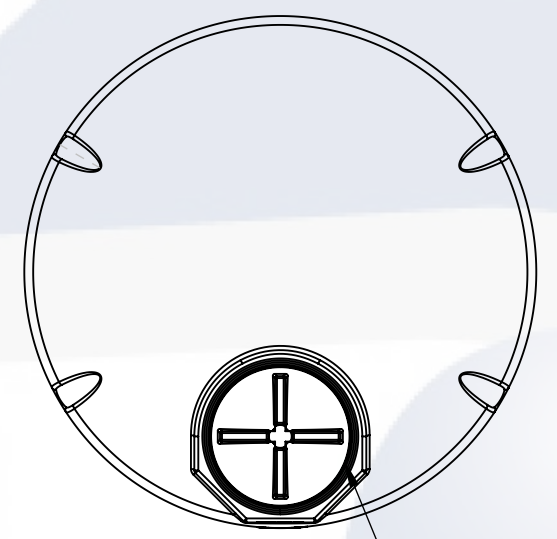
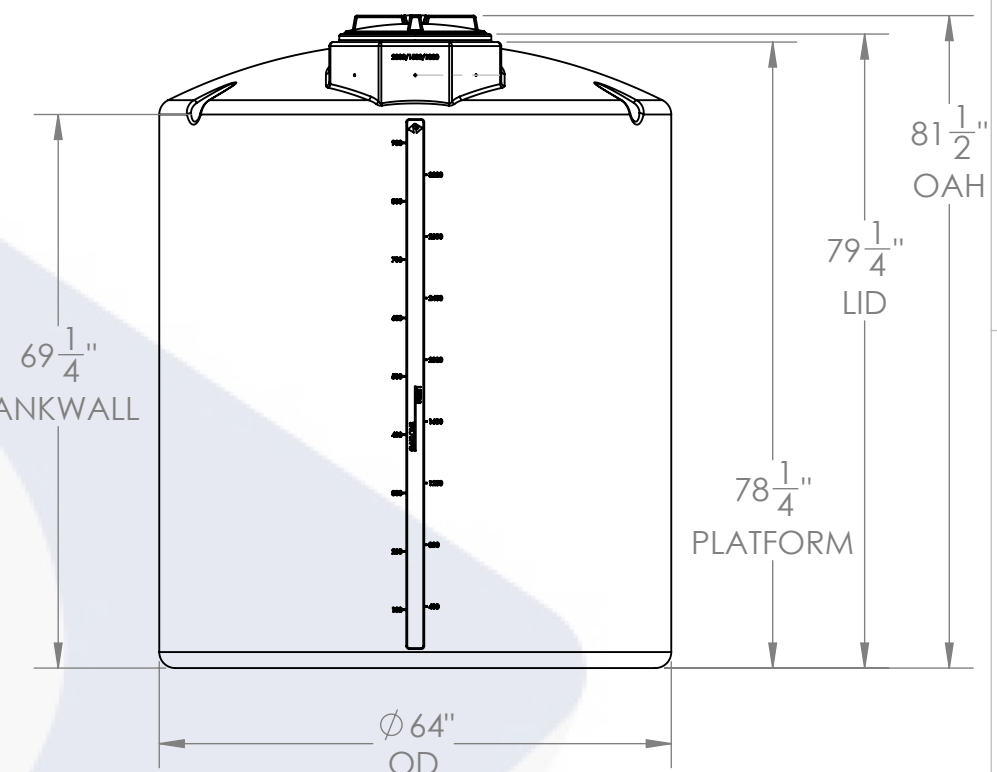


**ISOMETRIC VIEW
(FRONT)**



PLAN VIEW

Ø16" TWIST LID



FRONT VIEW

| Ø64" X 82" 1000G PROCHEM TANK | PART NUMBER | |
|-------------------------------|----------------------------|--------------|
| | PROCESS CHEMICAL (NATURAL) | WEIGHT (LBS) |
| LPE (1.5) | 01-35272 | 160 |
| LPE (1.9) | 01-35273 | 190 |
| XLPE (1.9) | 01-35274 | 200 |

ALTERNATIVE MATERIALS, COLOR, AND ACCESSORIES ARE AVAILABLE. CALL FOR ADDITIONAL INFO

- NOTES:**
- CAPACITY: SIDEWALL 1000 GAL. NOMINAL UP TO LID 1055 GAL. NOMINAL
 - TANK MATERIAL OPTIONS: LPE 1.5, LPE 1.9, XLPE, FDA WATER, PPL, PVDF
 - SERVICE PRESSURE: ATMOSPHERIC
 - NSF/ANSI STANDARD 61 CERTIFIED
 - AVAILABLE W/FRP WRAP CONTACT CUSTOMER SERVICE FOR MORE INFO

PROPRIETARY AND CONFIDENTIAL
THE INFORMATION CONTAINED IN THIS DRAWING IS THE SOLE PROPERTY OF PEABODY ENGINEERING. ANY REPRODUCTION IN PART OR AS A WHOLE WITHOUT THE WRITTEN PERMISSION OF PEABODY ENGINEERING IS PROHIBITED.

UNLESS OTHERWISE SPECIFIED:
DIMENSIONS ARE IN INCHES
TOLERANCES: ±1/4"
ANGULAR: ± .5°
ONE PLACE DECIMAL: ± .25
TWO PLACE DECIMAL: ± .125
THREE PLACE DECIMAL: ± .063

TANK MATERIAL:
INNER TANK S/N:
OUTER TANK S/N:
CUSTOMER PO#

DO NOT SCALE DRAWING

| | NAME | DATE |
|-----------|------|----------|
| DRAWN | SMF | 04/05/23 |
| CHECKED | | |
| ENG APPR. | | |
| MFG APPR. | | |
| Q.A. | | |



PROJECT: **PROCHEM® TANKS**
CUSTOMER: **PEABODY STANDARD**
SITE/LOCATION: -
SALES ORDER: **SEE TABLE**

SIZE **B** DESC. **Ø64" X 82" 1000G PROCHEM TANK** REV. **B**

SCALE: 1:24 SHEET 1 OF 1