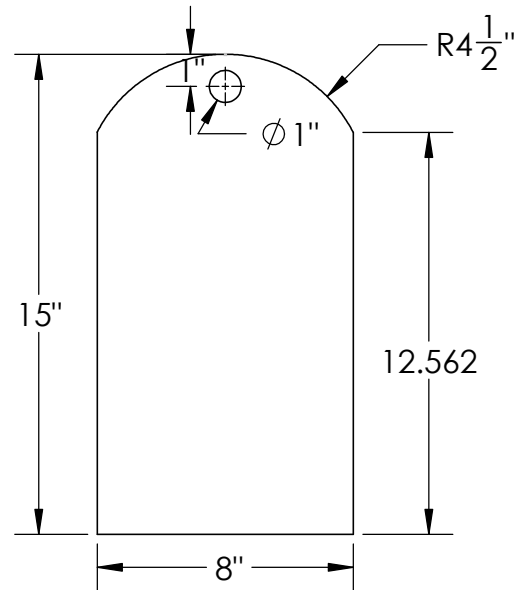
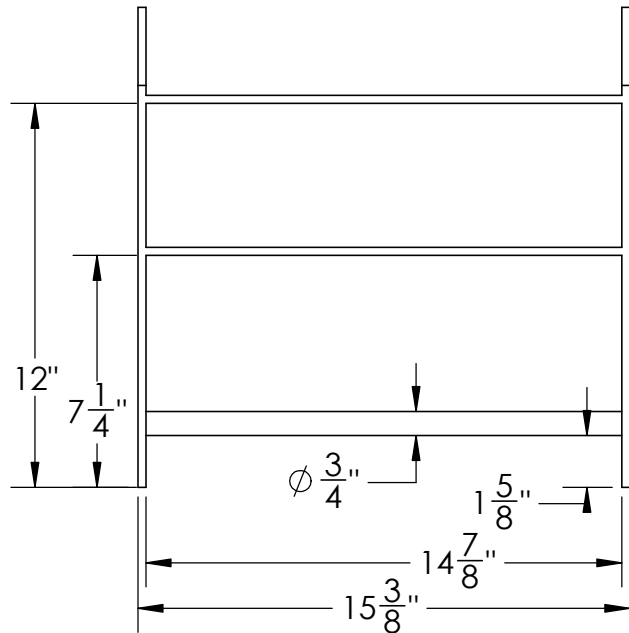
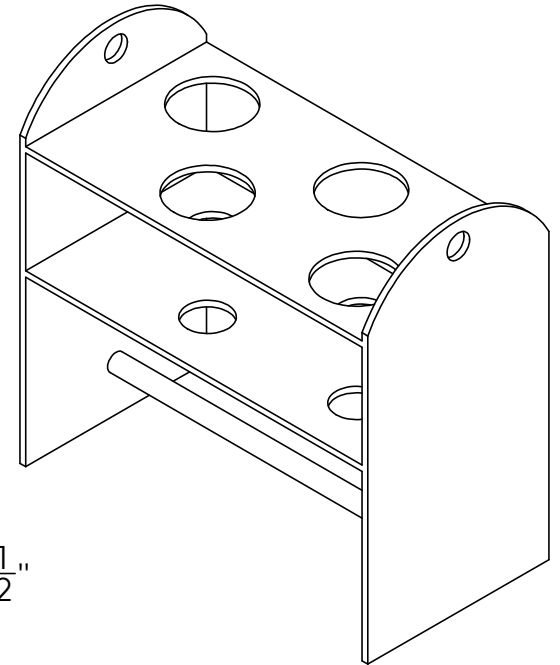


Designed to hold
#69353 x 4



Settling Cone Rack
for #69353



1390 Neubrecht Road
Lima, Ohio 45801

STOCK NO.

22947

REV

A

DO NOT SCALE DRAWING

WEIGHT: 5 lbs.

PROPRIETARY AND CONFIDENTIAL

THE INFORMATION CONTAINED IN THIS DRAWING IS THE SOLE PROPERTY OF TAMCO. ANY REPRODUCTION IN PART OR AS A WHOLE WITHOUT THE WRITTEN PERMISSION OF TAMCO IS PROHIBITED.

MAX. OPERATING TEMP. 140°F
INTERMITTENT SERVICE TO 160°F
SEE CHEMICAL RESISTANCE
CHART FOR COMPATABILITY

DIMENSIONS ARE IN INCHES TOLERANCE: $\pm 1/4"$		NAME	DATE
MATERIAL	HDPE	DRAWN	NJV 3/27/24
CAPACITY	N/A	APPROVED	
GRADUATIONS	N/A	COMMENTS: Translucent UV Stabilized	
NOMINAL WALL THICKNESS	1/4"		