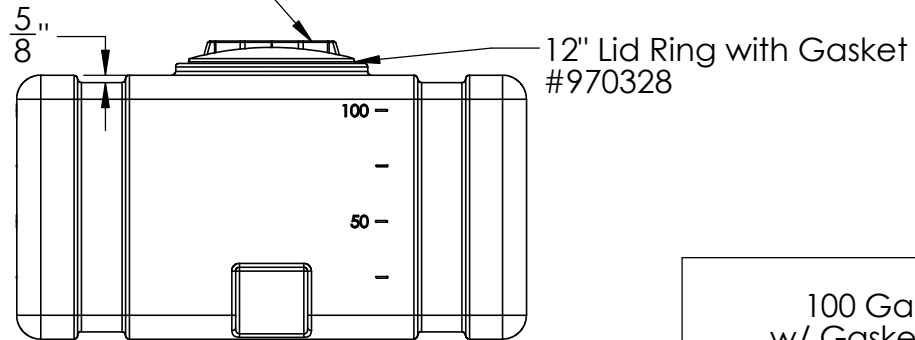
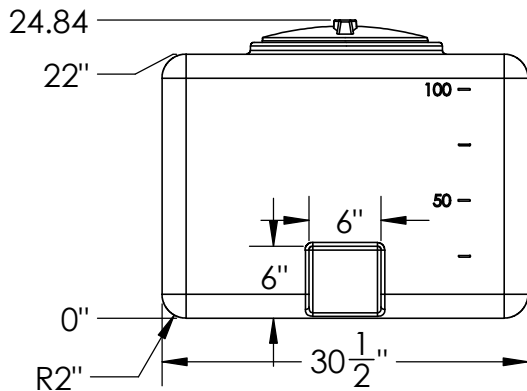


12" Closed Non-vented Lid
#970327



100 Gal Utility Tank
w/ Gasketed Ring & Lid



1390 Neubrecht Road
Lima, Ohio 45801

STOCK NO.	REV
23630	A
DO NOT SCALE DRAWING	WEIGHT: 48 lbs.

DIMENSIONS ARE IN INCHES TOLERANCE: ± 1/4"	NAME	DATE
MATERIAL LLDPE - FDA resin	DRAWN NJV	4/30/24
CAPACITY 100 Gal	APPROVED	
GRADUATIONS 25 Gal	REVISIONS	
NOMINAL WALL THICKNESS 1/4"	COMMENTS: Natural UV Stabilized	

PROPRIETARY AND CONFIDENTIAL
THE INFORMATION CONTAINED IN THIS DRAWING IS THE SOLE PROPERTY OF TAMCO. ANY REPRODUCTION IN PART OR AS A WHOLE WITHOUT THE WRITTEN PERMISSION OF TAMCO IS PROHIBITED.

MAX. OPERATING TEMP. 140°F
INTERMITTENT SERVICE TO 160°F
SEE CHEMICAL RESISTANCE
CHART FOR COMPATIBILITY