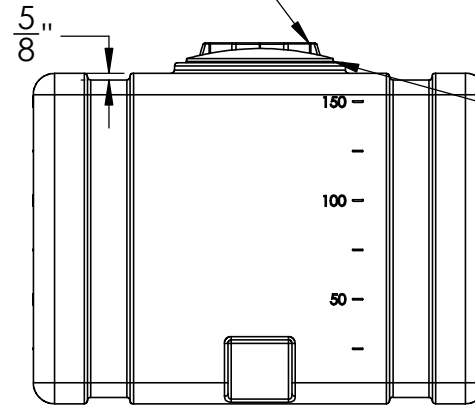
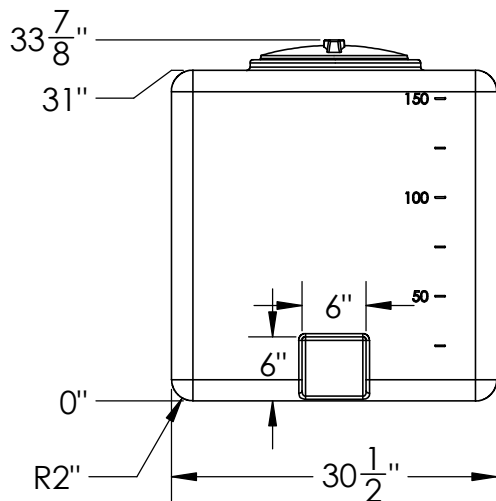


12" Closed Non-vented Lid
#970327



12" Lid Ring with Gasket
#970328

150 Gal Utility Tank
w/ Gasketed Ring & Lid



1390 Neubrecht Road
Lima, Ohio 45801

STOCK NO. **23631** REV **A**

DO NOT SCALE DRAWING

WEIGHT: 59 lbs.

DIMENSIONS ARE IN INCHES TOLERANCE: ± 1/4"		NAME	DATE
MATERIAL	LLDPE - FDA resin	DRAWN	NJV 4/30/24
CAPACITY	150 Gal	APPROVED	
GRADUATIONS	25 Gal	REVISIONS	
NOMINAL WALL THICKNESS	1/4"	COMMENTS: Natural UV Stabilized	

PROPRIETARY AND CONFIDENTIAL

THE INFORMATION CONTAINED IN THIS DRAWING IS THE SOLE PROPERTY OF TAMCO. ANY REPRODUCTION IN PART OR AS A WHOLE WITHOUT THE WRITTEN PERMISSION OF TAMCO IS PROHIBITED.

MAX. OPERATING TEMP. 140°F
INTERMITTENT SERVICE TO 160°F
SEE CHEMICAL RESISTANCE
CHART FOR COMPATIBILITY