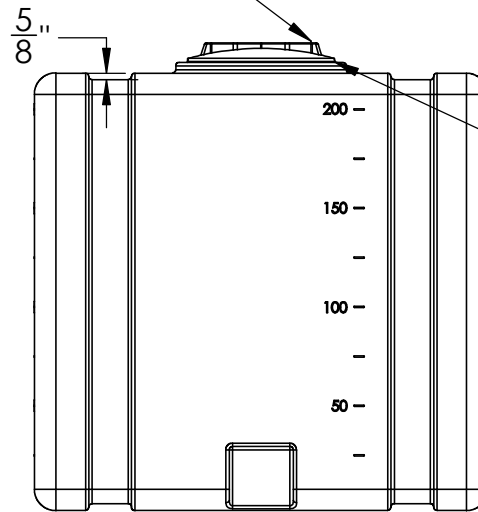
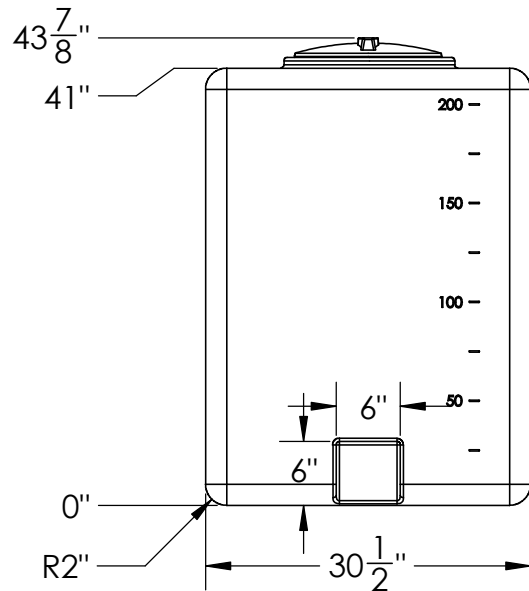


12" Closed Non-vented Lid
#970327



12" Lid Ring with Gasket
#970328

200 Gal Utility Tank
w/ Gasketed Ring & Lid



1390 Neubrecht Road
Lima, Ohio 45801

STOCK NO. **23632** REV **A**

DO NOT SCALE DRAWING

WEIGHT: 71 lbs.

DIMENSIONS ARE IN INCHES
TOLERANCE: ± 1/4"

MATERIAL
LLDPE - FDA resin

CAPACITY
200 Gal

GRADUATIONS
25 Gal

NOMINAL WALL THICKNESS
1/4"

	NAME	DATE
DRAWN	NJV	4/30/24
APPROVED		
REVISIONS		

COMMENTS:
Natural
UV Stabilized

PROPRIETARY AND CONFIDENTIAL

THE INFORMATION CONTAINED IN THIS DRAWING IS THE SOLE PROPERTY OF TAMCO. ANY REPRODUCTION IN PART OR AS A WHOLE WITHOUT THE WRITTEN PERMISSION OF TAMCO IS PROHIBITED.

MAX. OPERATING TEMP. 140°F
INTERMITTENT SERVICE TO 160°F
SEE CHEMICAL RESISTANCE
CHART FOR COMPATIBILITY