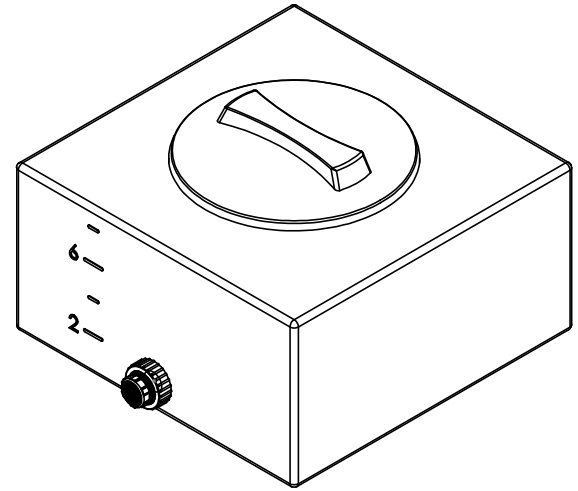
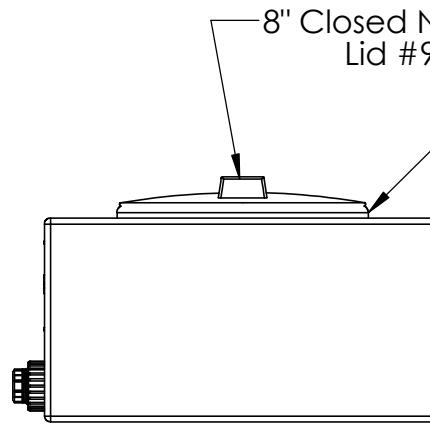
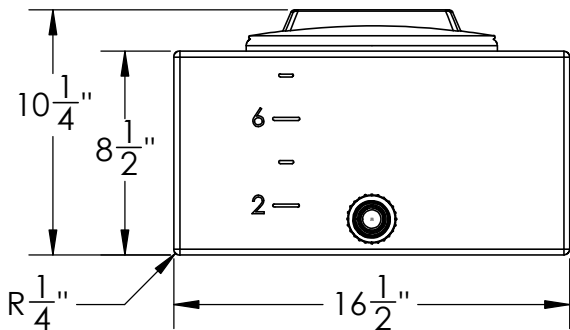


3/4" Bulkhead PP Fitting #970233



8" Closed Non-Vented Lid #970325

8" Lid Ring with Gasket #970326



8 Gal Rectangular Utility Tank
w/ Fittings &
Gasketed Ring & Lid



1390 Neubrecht Road
Lima, Ohio 45801

STOCK NO.
23657, 23659, 23660

REV
A

DO NOT SCALE DRAWING

WEIGHT: 10 lbs.

DIMENSIONS ARE IN INCHES
TOLERANCE: ± 1/16"

MATERIAL
LLDPE - FDA resin

CAPACITY
8 Gallon

GRADUATIONS
2 Gallon

NOMINAL WALL THICKNESS
3/16"

DRAWN
APPROVED
REVISIONS
COMMENTS:

NAME
NJV

DATE
6/4/24

Natural, Black, Blue
UV Stabilized

PROPRIETARY AND CONFIDENTIAL

THE INFORMATION CONTAINED IN THIS
DRAWING IS THE SOLE PROPERTY OF
TAMCO. ANY REPRODUCTION IN PART
OR AS A WHOLE WITHOUT THE WRITTEN
PERMISSION OF TAMCO IS PROHIBITED.

MAX. OPERATING TEMP. 140°F
INTERMITTENT SERVICE TO 160°F
SEE CHEMICAL RESISTANCE
CHART FOR COMPATIBILITY