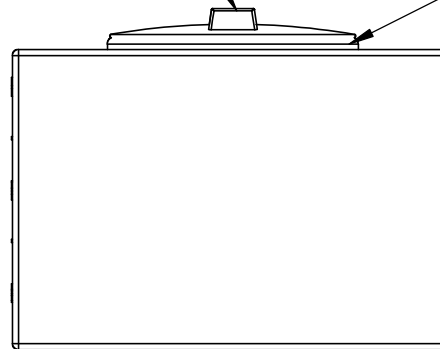
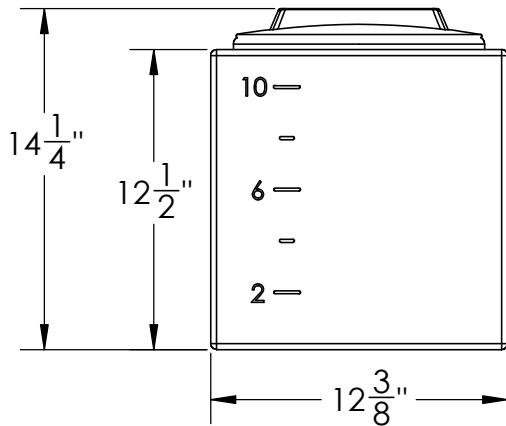


8" Closed Non-Vented
Lid #970325

8" Lid Ring with Gasket
#970326



Natural Rectangular Utility Tank
w/ Gasketed Ring & Lid



1390 Neubrecht Road
Lima, Ohio 45801

STOCK NO.
23662

REV
A

DO NOT SCALE DRAWING

WEIGHT: 11.5 lbs.

DIMENSIONS ARE IN INCHES TOLERANCE: ± 1/4"		NAME	DATE
MATERIAL	LLDPE - FDA resin	DRAWN	NJV 6/4/24
CAPACITY	10 Gallon	APPROVED	
GRADUATIONS	2 Gallon	REVISIONS	
NOMINAL WALL THICKNESS	3/16"	COMMENTS: Natural UV Stabilized	

PROPRIETARY AND CONFIDENTIAL
THE INFORMATION CONTAINED IN THIS DRAWING IS THE SOLE PROPERTY OF TAMCO. ANY REPRODUCTION IN PART OR AS A WHOLE WITHOUT THE WRITTEN PERMISSION OF TAMCO IS PROHIBITED.

MAX. OPERATING TEMP. 140°F
INTERMITTENT SERVICE TO 160°F
SEE CHEMICAL RESISTANCE
CHART FOR COMPATIBILITY