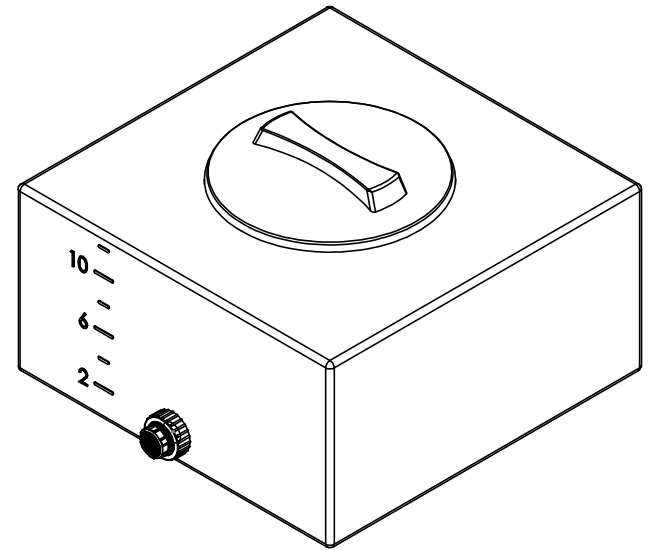
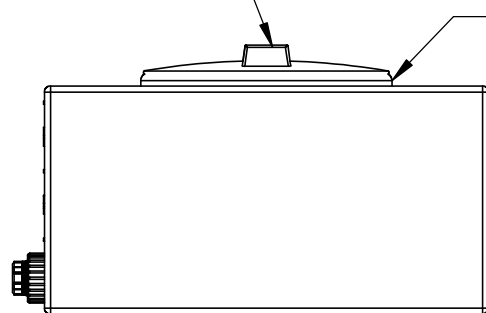
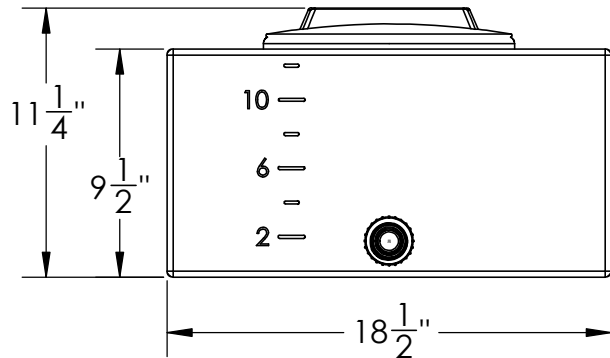


3/4" Bulkhead PP Fitting #970233

8" Closed Non-Vented Lid #970325



8" Lid Ring with Gasket #970326



12 Gal Rectangular Utility Tank
w/ Fitting &
Gasketed Ring & Lid



1390 Neubrecht Road
Lima, Ohio 45801

STOCK NO.
23665, 23667, 23668

REV
A

DO NOT SCALE DRAWING

WEIGHT: 12 lbs.

DIMENSIONS ARE IN INCHES TOLERANCE: ± 1/16"		DRAWN	NAME	DATE
MATERIAL LLDPE - FDA resin		APPROVED	NJV	6/4/24
CAPACITY 12 Gallon		REVISIONS		
GRADUATIONS 2 Gallon		COMMENTS: Natural, Black, Blue UV Stabilized		
NOMINAL WALL THICKNESS 3/16"				

PROPRIETARY AND CONFIDENTIAL
THE INFORMATION CONTAINED IN THIS DRAWING IS THE SOLE PROPERTY OF TAMCO. ANY REPRODUCTION IN PART OR AS A WHOLE WITHOUT THE WRITTEN PERMISSION OF TAMCO IS PROHIBITED.

MAX. OPERATING TEMP. 140°F
INTERMITTENT SERVICE TO 160°F
SEE CHEMICAL RESISTANCE
CHART FOR COMPATIBILITY