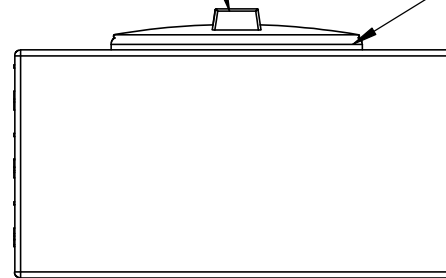
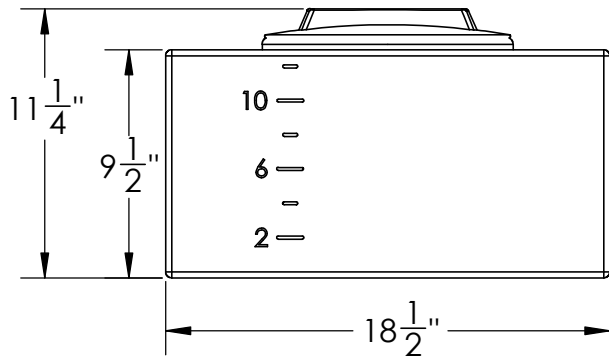


8" Closed Non-Vented
Lid #970325

8" Lid Ring with Gasket
#970326



12 Gal Rectangular Utility Tank
w/ Gasketed Ring & Lid



1390 Neubrecht Road
Lima, Ohio 45801

STOCK NO.

23666

REV

A

DO NOT SCALE DRAWING

WEIGHT: 12 lbs.

DIMENSIONS ARE IN INCHES
TOLERANCE: ± 1/16"

MATERIAL
LLDPE - FDA resin

CAPACITY
12 Gallon

GRADUATIONS
2 Gallon

NOMINAL WALL THICKNESS
3/16"

	NAME	DATE
DRAWN	NJV	6/4/24
APPROVED		
REVISIONS		

COMMENTS:
Natural
UV Stabilized

PROPRIETARY AND CONFIDENTIAL

THE INFORMATION CONTAINED IN THIS
DRAWING IS THE SOLE PROPERTY OF
TAMCO. ANY REPRODUCTION IN PART
OR AS A WHOLE WITHOUT THE WRITTEN
PERMISSION OF TAMCO IS PROHIBITED.

MAX. OPERATING TEMP. 140°F
INTERMITTENT SERVICE TO 160°F
SEE CHEMICAL RESISTANCE
CHART FOR COMPATIBILITY