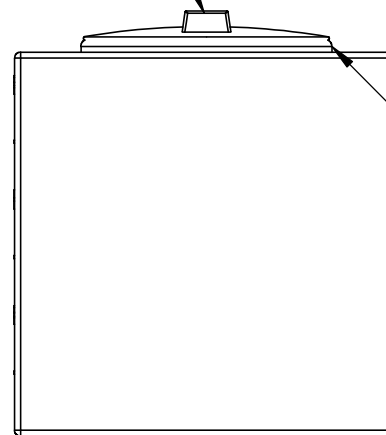
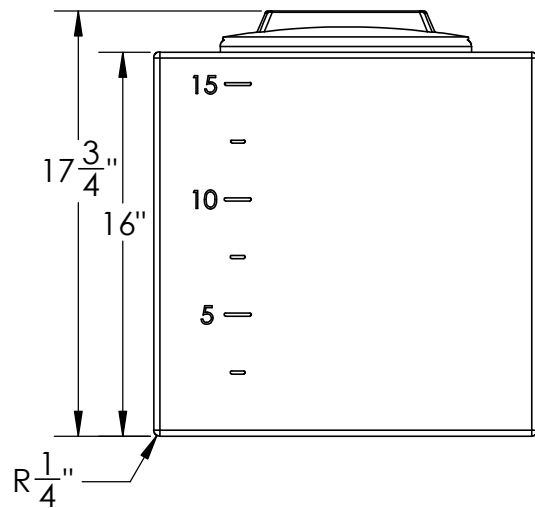


8" Closed Non-Vented Lid #970325



8" Lid Ring with Gasket #970326



Natural Rectangular Utility Tank
w/ Gasketed Ring & Lid



1390 Neubrecht Road
Lima, Ohio 45801

STOCK NO.

23670

REV

A

DO NOT SCALE DRAWING

WEIGHT: 12 lbs.

| | | | |
|---|-------------------|-----------------------|------------|
| DIMENSIONS ARE IN INCHES TOLERANCE: ± 1/4" | | NAME | DATE |
| MATERIAL | LLDPE - FDA resin | DRAWN | NJV 6/4/24 |
| CAPACITY | | APPROVED | |
| GRADUATIONS | 15 Gallon | REVISIONS | |
| NOMINAL WALL THICKNESS | 2.5 Gallon | COMMENTS: | |
| | 3/16" | Natural UV Stabilized | |

PROPRIETARY AND CONFIDENTIAL

THE INFORMATION CONTAINED IN THIS DRAWING IS THE SOLE PROPERTY OF TAMCO. ANY REPRODUCTION IN PART OR AS A WHOLE WITHOUT THE WRITTEN PERMISSION OF TAMCO IS PROHIBITED.

MAX. OPERATING TEMP. 140°F
INTERMITTENT SERVICE TO 160°F
SEE CHEMICAL RESISTANCE CHART FOR COMPATIBILITY