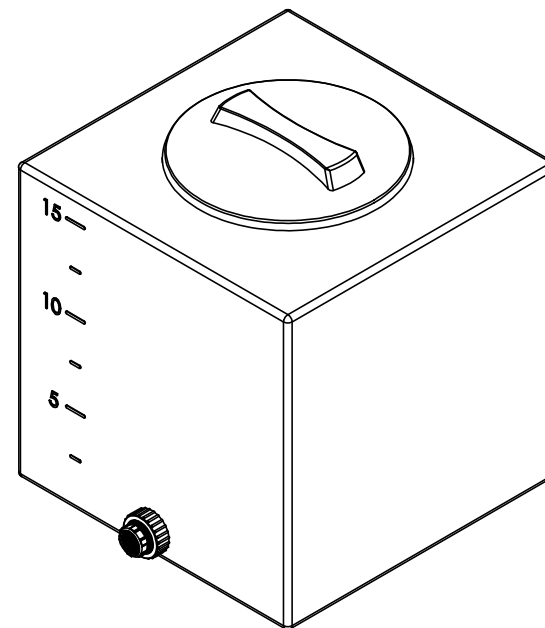
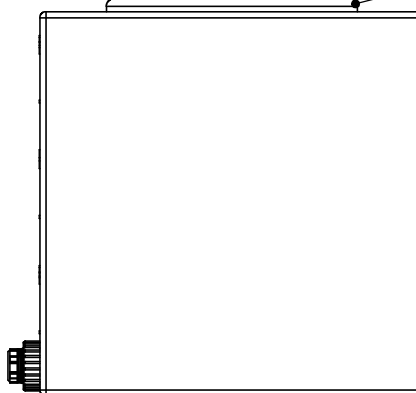
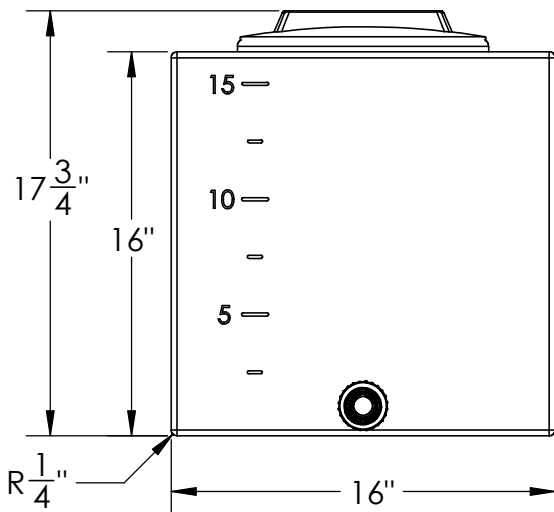


3/4" Bulkhead PP Fitting #970233

8" Closed Non-Vented Lid #970325



8" Lid Ring with Gasket #970326



Natural Rectangular Utility Tank  
w/ Fitting &  
Gasketed Ring & Lid



1390 Neubrecht Road  
Lima, Ohio 45801

DIMENSIONS ARE IN INCHES  
TOLERANCE: ± 1/4"

MATERIAL  
LLDPE - FDA resin

CAPACITY  
15 Gallon

GRADUATIONS  
2.5 Gallon

NOMINAL WALL THICKNESS  
3/16"

	NAME	DATE
DRAWN	NJV	6/4/24
APPROVED		
REVISIONS		

COMMENTS:

Natural, Black, Blue  
UV Stabilized

STOCK NO.  
23669, 23671, 23672

REV  
A

DO NOT SCALE DRAWING

WEIGHT: 12 lbs.

**PROPRIETARY AND CONFIDENTIAL**

THE INFORMATION CONTAINED IN THIS DRAWING IS THE SOLE PROPERTY OF TAMCO. ANY REPRODUCTION IN PART OR AS A WHOLE WITHOUT THE WRITTEN PERMISSION OF TAMCO IS PROHIBITED.

MAX. OPERATING TEMP. 140°F  
INTERMITTENT SERVICE TO 160°F  
SEE CHEMICAL RESISTANCE  
CHART FOR COMPATIBILITY