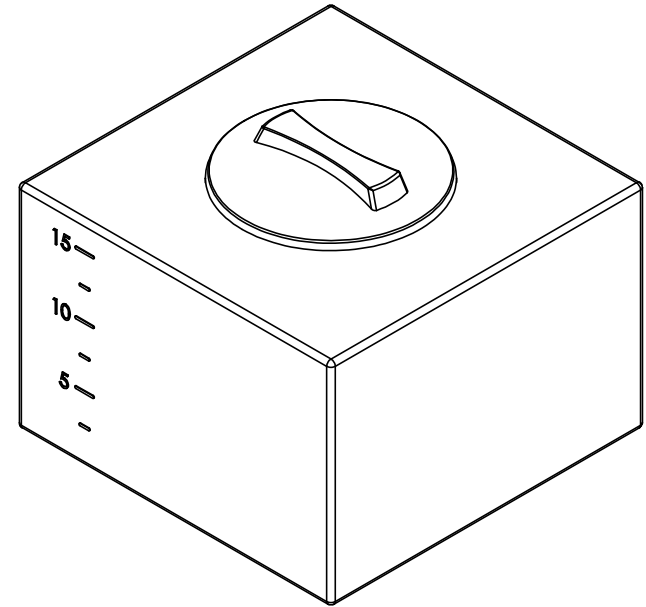
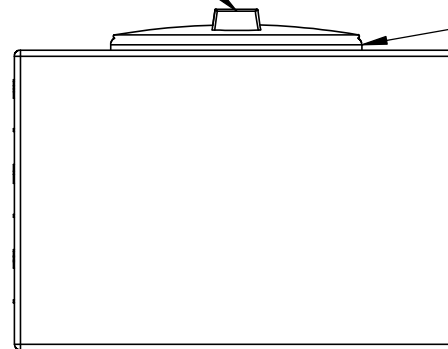
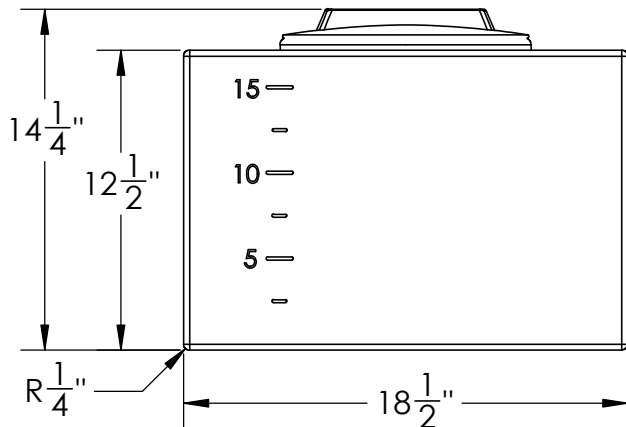


8" Closed Non-Vented
Lid #970325



8" Lid Ring with Gasket
#970326



15 Gal Rectangular Utility Tank
w/ Gasketed Ring & Lid



1390 Neubrecht Road
Lima, Ohio 45801

STOCK NO.	REV
23674	A
DO NOT SCALE DRAWING	WEIGHT: 14 lbs.

DIMENSIONS ARE IN INCHES TOLERANCE: ± 1/16"			
MATERIAL	DRAWN	NAME	DATE
LLDPE - FDA resin		NJV	6/4/24
CAPACITY	APPROVED		
15 Gallon	REVISIONS		
GRADUATIONS	COMMENTS:		
2.5 Gallon	Natural		
NOMINAL WALL THICKNESS	UV Stabilized		
3/16"			

PROPRIETARY AND CONFIDENTIAL
THE INFORMATION CONTAINED IN THIS DRAWING IS THE SOLE PROPERTY OF TAMCO. ANY REPRODUCTION IN PART OR AS A WHOLE WITHOUT THE WRITTEN PERMISSION OF TAMCO IS PROHIBITED.

MAX. OPERATING TEMP. 140°F
INTERMITTENT SERVICE TO 160°F
SEE CHEMICAL RESISTANCE
CHART FOR COMPATIBILITY