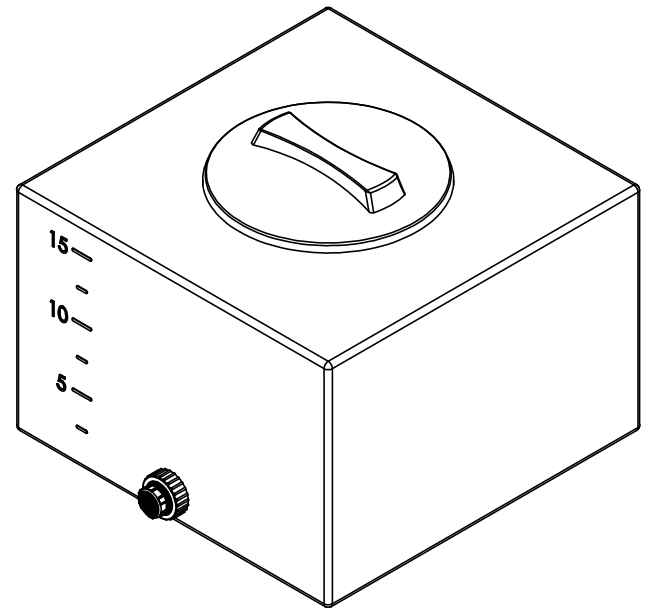
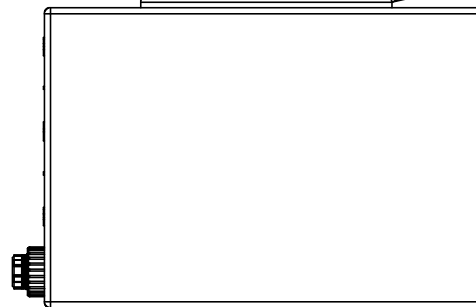
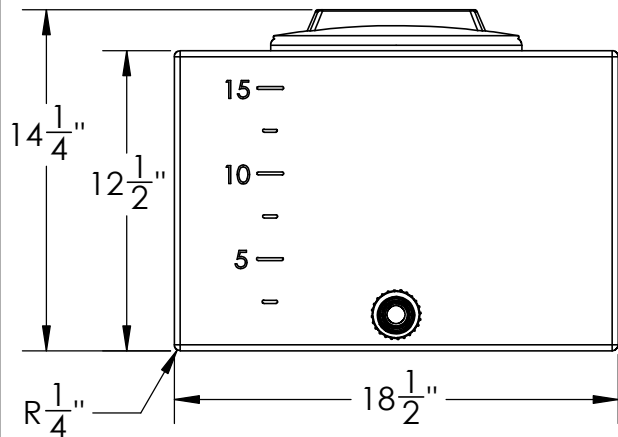


3/4" Bulkhead PP Fitting #970233

8" Closed Non-Vented Lid #970325



8" Lid Ring with Gasket #970326



15 Gal Rectangular Utility Tank
w/ Fitting &
Gasketed Ring & Lid



1390 Neubrecht Road
Lima, Ohio 45801

STOCK NO.
23673, 23675, 23676

REV
A

DO NOT SCALE DRAWING

WEIGHT: 14 lbs.

DIMENSIONS ARE IN INCHES TOLERANCE: ± 1/16"		NAME	DATE
MATERIAL	LLDPE - FDA resin	DRAWN	NJV 6/4/24
CAPACITY	15 Gallon	APPROVED	
GRADUATIONS	2.5 Gallon	REVISIONS	
NOMINAL WALL THICKNESS	3/16"	COMMENTS: Natural, Black, Blue, UV Stabilized	

PROPRIETARY AND CONFIDENTIAL

THE INFORMATION CONTAINED IN THIS DRAWING IS THE SOLE PROPERTY OF TAMCO. ANY REPRODUCTION IN PART OR AS A WHOLE WITHOUT THE WRITTEN PERMISSION OF TAMCO IS PROHIBITED.

MAX. OPERATING TEMP. 140°F
INTERMITTENT SERVICE TO 160°F
SEE CHEMICAL RESISTANCE
CHART FOR COMPATABILITY