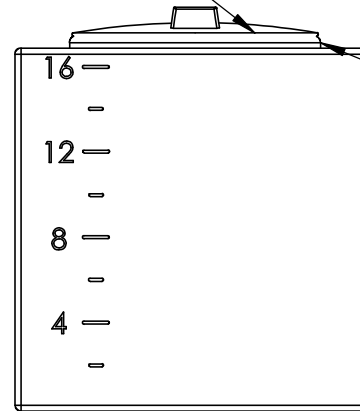
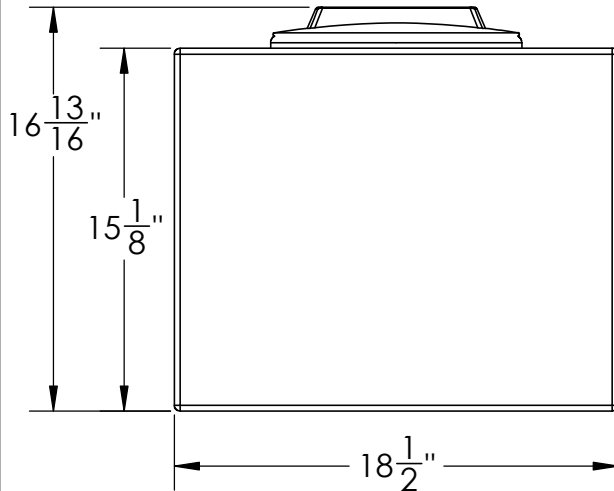


8" Closed Non-Vented Lid  
#970325



8" Lid Ring with Gasket  
#970326



Rectangular Utility Tank  
w/ Gasketed Ring & Lid



1390 Neubrecht Road  
Lima, Ohio 45801

STOCK NO.  
**15762**

REV  
**A**

DO NOT SCALE DRAWING

WEIGHT: 11.9 lbs.

DIMENSIONS ARE IN INCHES TOLERANCE: ± 1/4"	DRAWN	NAME	DATE
MATERIAL LLDPE - FDA resin	APPROVED	NJV	4/23/24
CAPACITY 16 Gallon	REVISIONS		
GRADUATIONS 2 Gallon	COMMENTS:	Natural UV Stabilized	
NOMINAL WALL THICKNESS 3/16"			

**PROPRIETARY AND CONFIDENTIAL**

THE INFORMATION CONTAINED IN THIS DRAWING IS THE SOLE PROPERTY OF TAMCO. ANY REPRODUCTION IN PART OR AS A WHOLE WITHOUT THE WRITTEN PERMISSION OF TAMCO IS PROHIBITED.

MAX. OPERATING TEMP. 140°F  
INTERMITTENT SERVICE TO 160°F  
SEE CHEMICAL RESISTANCE  
CHART FOR COMPATIBILITY