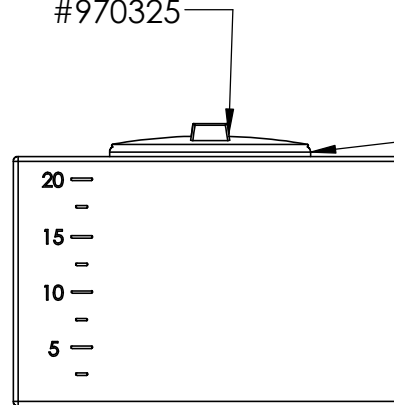
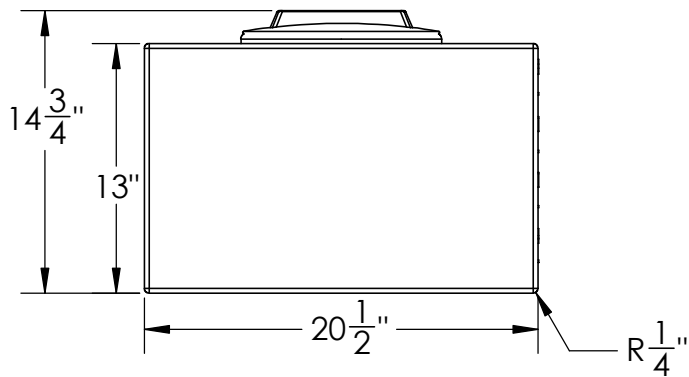


8" Closed Non-vented Lid
#970325



8" Lid Ring
w/ Gasket
#970326



Rectangular Utility Tank
w/ Gasketed Ring & Lid



1390 Neubrecht Road
Lima, Ohio 45801

STOCK NO.	REV
23694	A
DO NOT SCALE DRAWING	WEIGHT: 16 lbs.

DIMENSIONS ARE IN INCHES TOLERANCE: ± 1/4"	NAME	DATE
MATERIAL LLDPE - FDA resin	DRAWN NJV	4/24/24
CAPACITY 20 Gallon	APPROVED	
GRADUATIONS 2.5 Gallon	REVISIONS	
NOMINAL WALL THICKNESS 3/16"	COMMENTS: Natural UV Stabilized	

PROPRIETARY AND CONFIDENTIAL
THE INFORMATION CONTAINED IN THIS DRAWING IS THE SOLE PROPERTY OF TAMCO. ANY REPRODUCTION IN PART OR AS A WHOLE WITHOUT THE WRITTEN PERMISSION OF TAMCO IS PROHIBITED.

MAX. OPERATING TEMP. 140°F
INTERMITTENT SERVICE TO 160°F
SEE CHEMICAL RESISTANCE
CHART FOR COMPATABILITY