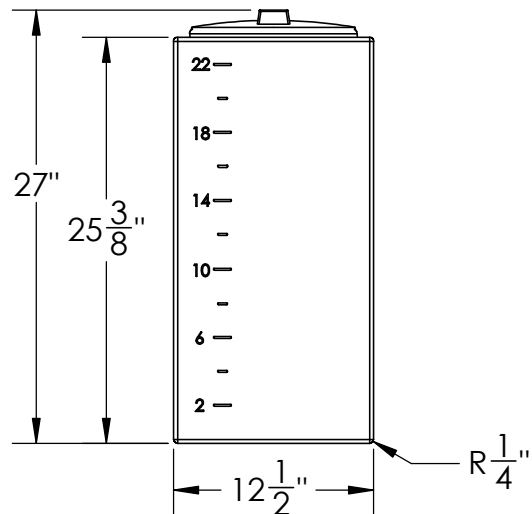
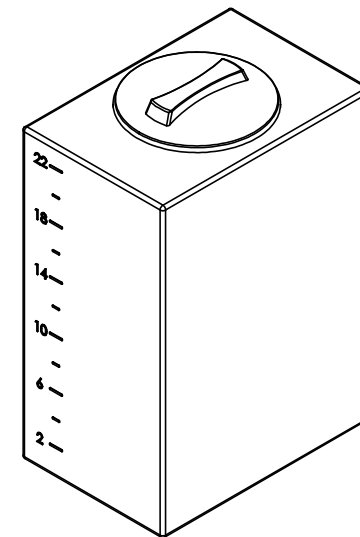
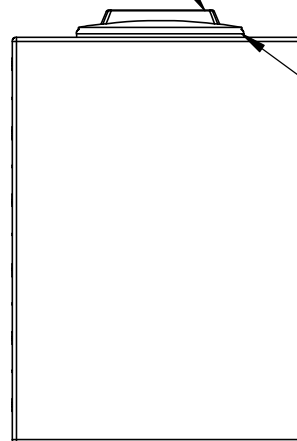


8" Closed Non-Vented Lid
#970325



8" Lid Ring with Gasket
#970326



Rectangular Utility Tank
w/ Gasketed Ring & Lid



1390 Neubrecht Road
Lima, Ohio 45801

STOCK NO.
23698

REV
A

DO NOT SCALE DRAWING

WEIGHT: 16.5 lbs.

DIMENSIONS ARE IN INCHES TOLERANCE: ± 1/4"	DRAWN	NAME	DATE
MATERIAL LLDPE - FDA resin	APPROVED	NJV	4/25/24
CAPACITY 22 Gallon	REVISIONS		
GRADUATIONS 2 Gallon	COMMENTS:	Natural UV Stabilized	
NOMINAL WALL THICKNESS 3/16"			

PROPRIETARY AND CONFIDENTIAL
THE INFORMATION CONTAINED IN THIS DRAWING IS THE SOLE PROPERTY OF TAMCO. ANY REPRODUCTION IN PART OR AS A WHOLE WITHOUT THE WRITTEN PERMISSION OF TAMCO IS PROHIBITED.

MAX. OPERATING TEMP. 140°F
INTERMITTENT SERVICE TO 160°F
SEE CHEMICAL RESISTANCE
CHART FOR COMPATABILITY