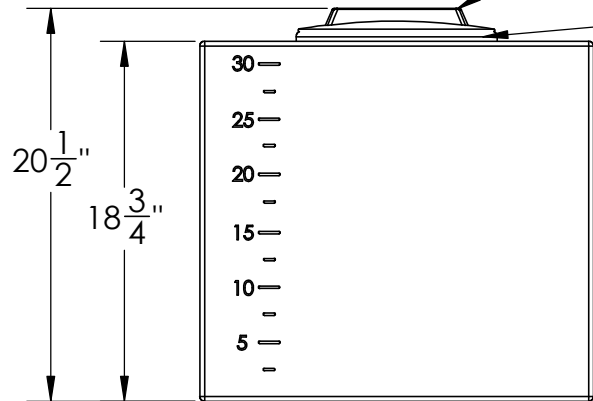


8" Closed Non-vented Lid #970325

8" Lid Ring with Gasket #970326



Natural Rectangular Utility Tank with Gasketed Ring & Lid



1390 Neubrecht Road
Lima, Ohio 45801

STOCK NO. 23710

REV A

DO NOT SCALE DRAWING

WEIGHT: 24 lbs.

DIMENSIONS ARE IN INCHES
TOLERANCE: ± 1/4"

MATERIAL
LLDPE - FDA resin

CAPACITY
30 Gallon

GRADUATIONS
2.5 Gallon

NOMINAL WALL THICKNESS
3/16"

	NAME	DATE
DRAWN	NJV	5/1/24
APPROVED		
REVISIONS		

COMMENTS:
Natural UV Stabilized

PROPRIETARY AND CONFIDENTIAL

THE INFORMATION CONTAINED IN THIS DRAWING IS THE SOLE PROPERTY OF TAMCO. ANY REPRODUCTION IN PART OR AS A WHOLE WITHOUT THE WRITTEN PERMISSION OF TAMCO IS PROHIBITED.

MAX. OPERATING TEMP. 140°F
INTERMITTENT SERVICE TO 160°F
SEE CHEMICAL RESISTANCE CHART FOR COMPATIBILITY