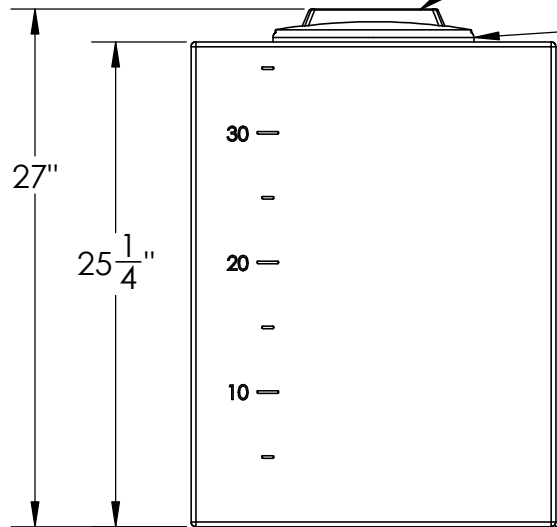
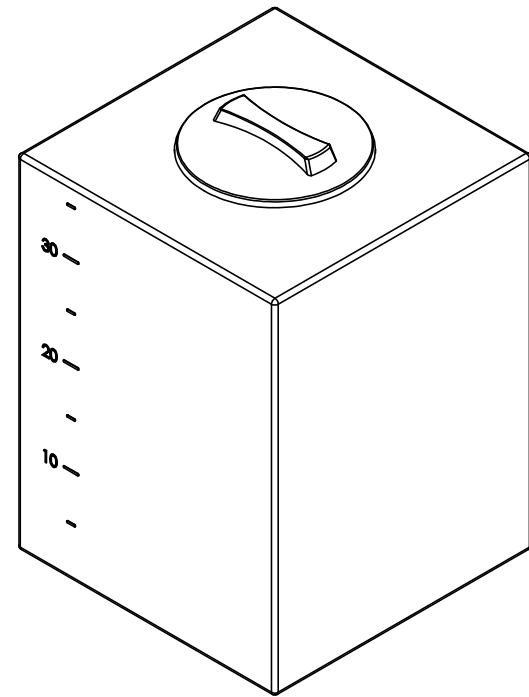


8" Closed Non-vented Lid #970325

8" Lid Ring with Gasket #970326



R $\frac{1}{4}$ "



Natural Rectangular Utility Tank w/ Gasketed Ring & Lid



1390 Neubrecht Road
Lima, Ohio 45801

STOCK NO. 23718

REV A

DO NOT SCALE DRAWING

WEIGHT: 23 lbs.

DIMENSIONS ARE IN INCHES TOLERANCE: $\pm 1/4$ "		DRAWN	NAME	DATE
MATERIAL LLDPE - FDA resin		APPROVED	NJV	5/1/24
CAPACITY 35 Gallon		REVISIONS		
GRADUATIONS 5 Gallon		COMMENTS: Natural UV Stabilized		
NOMINAL WALL THICKNESS 3/16"				

PROPRIETARY AND CONFIDENTIAL
THE INFORMATION CONTAINED IN THIS DRAWING IS THE SOLE PROPERTY OF TAMCO. ANY REPRODUCTION IN PART OR AS A WHOLE WITHOUT THE WRITTEN PERMISSION OF TAMCO IS PROHIBITED.

MAX. OPERATING TEMP. 140°F
INTERMITTENT SERVICE TO 160°F
SEE CHEMICAL RESISTANCE CHART FOR COMPATIBILITY