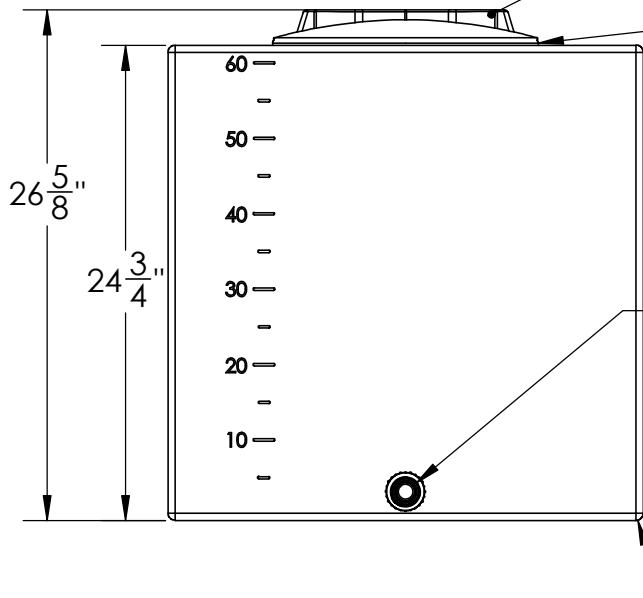


12" Closed Non-vented Lid #970327

12" Lid Ring with Gasket #970328

3/4" Bulkhead PP Fitting #970233



R 3/8"

60 Gallon Rectangular Utility Tank
w/ Fitting &
Gasketed Ring & Lid

TAMCO
INDUSTRIES
1390 Neubrecht Road
Lima, Ohio 45801

STOCK NO.
23733, 23735, 23736

REV
A

DO NOT SCALE DRAWING

WEIGHT: 31 lbs.

PROPRIETARY AND CONFIDENTIAL

THE INFORMATION CONTAINED IN THIS DRAWING IS THE SOLE PROPERTY OF TAMCO. ANY REPRODUCTION IN PART OR AS A WHOLE WITHOUT THE WRITTEN PERMISSION OF TAMCO IS PROHIBITED.

MAX. OPERATING TEMP. 140°F
INTERMITTENT SERVICE TO 160°F
SEE CHEMICAL RESISTANCE
CHART FOR COMPATIBILITY

DIMENSIONS ARE IN INCHES
TOLERANCE: ± 1/4"

MATERIAL
LLDPE - FDA resin

CAPACITY
60 Gallon

GRADUATIONS
5 Gallon

NOMINAL WALL THICKNESS
1/4"

	NAME	DATE
DRAWN	NJV	5/1/24
APPROVED		
REVISIONS		

COMMENTS:
Natural, Black, Blue
UV Stabilized