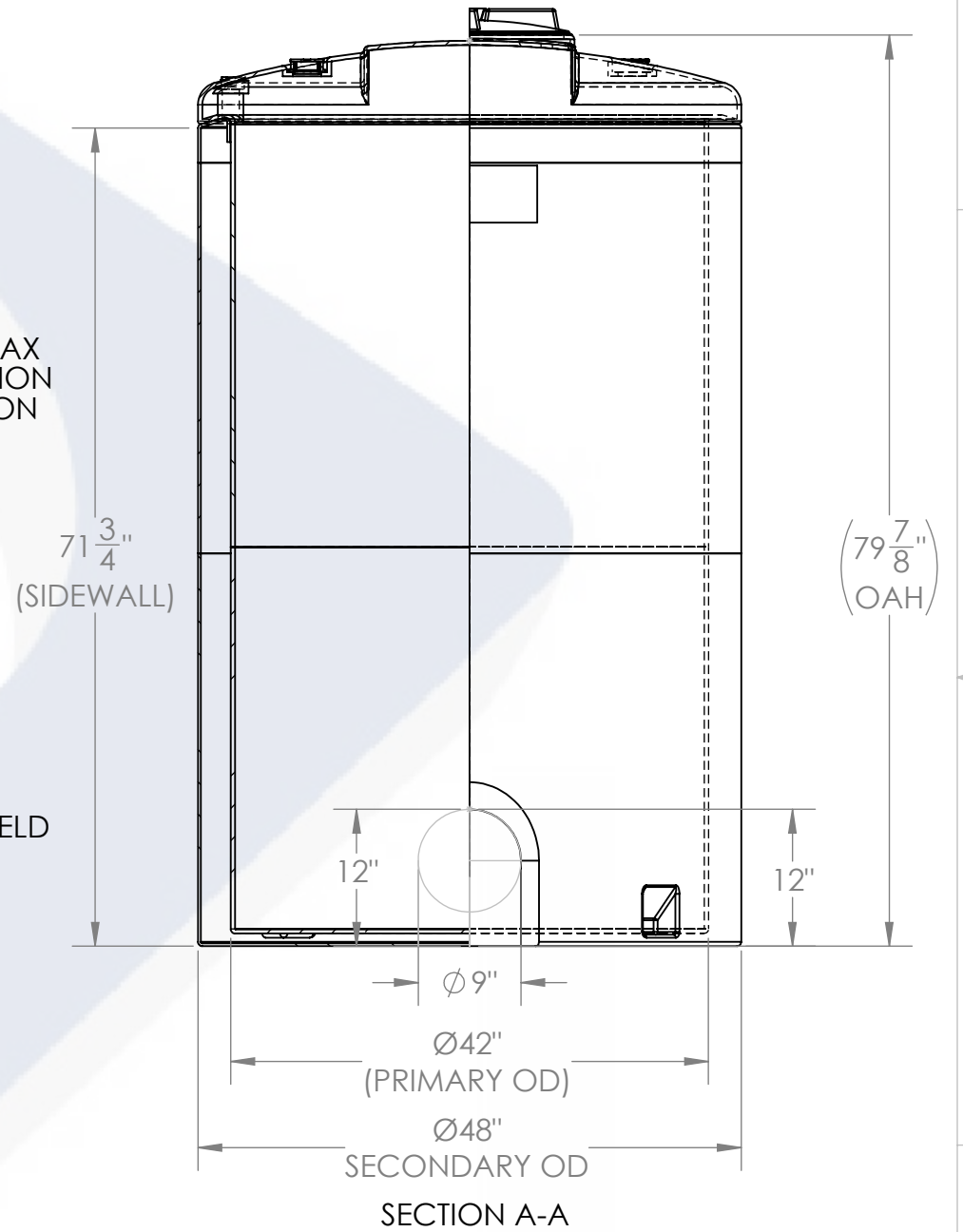
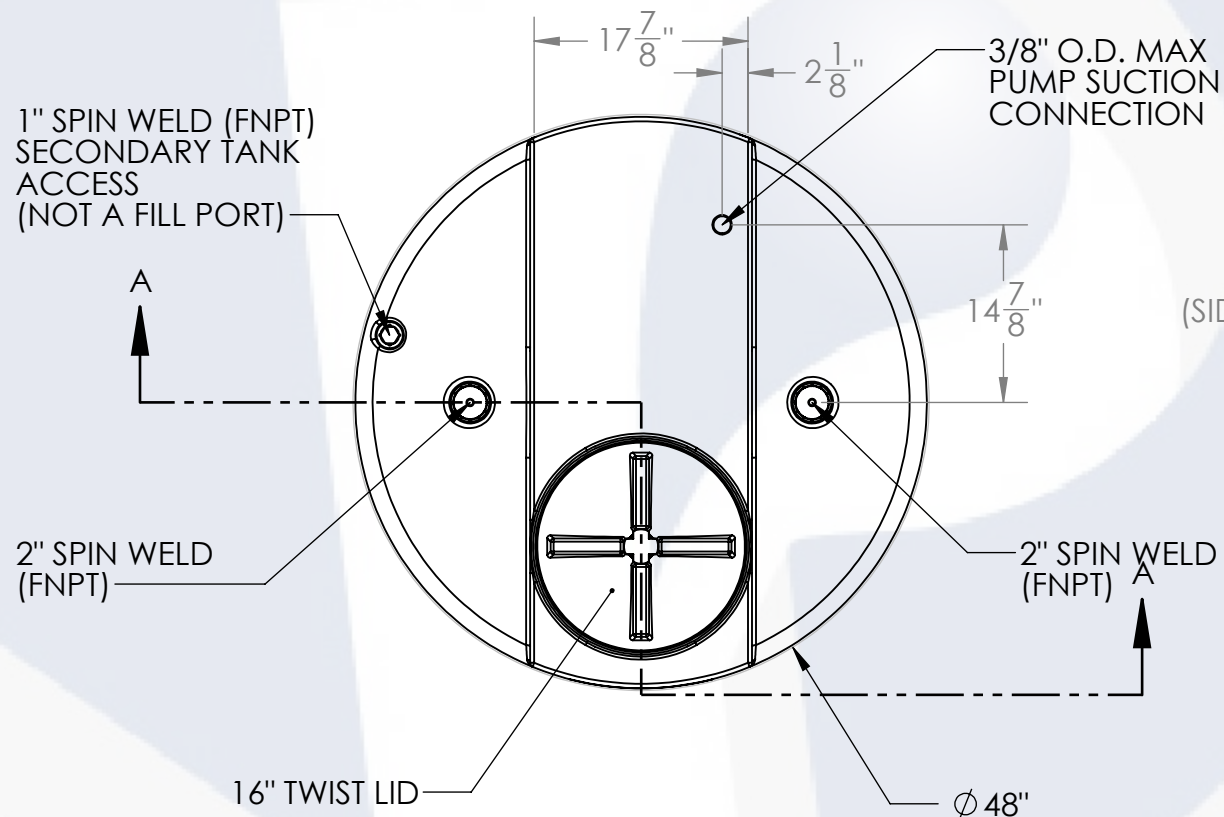


**ISO VIEW
(ASSEMBLED)**



420 GALLON GEMINI TANK, Ø48"X80"	PART NUMBER		ASSEMBLED WEIGHTS (LBS)
	BLUE	NATURAL	
LPE (1.5)	01-35337	01-35338	252
LPE (1.9)	01-35339	01-35340	269
XLPE (1.5)	CALL FOR INFO	01-35341	252
XLPE (1.9)	CALL FOR INFO	01-35342	269

ALTERNATIVE MATERIALS, COLOR, AND ACCESSORIES ARE AVAILABLE. CALL FOR ADDITIONAL INFO.

PROPRIETARY AND CONFIDENTIAL
 THE INFORMATION CONTAINED IN THIS DRAWING IS THE SOLE PROPERTY OF PEABODY ENGINEERING. ANY REPRODUCTION IN PART OR AS A WHOLE WITHOUT THE WRITTEN PERMISSION OF PEABODY ENGINEERING IS PROHIBITED.

UNLESS OTHERWISE SPECIFIED:
 DIMENSIONS ARE IN INCHES
 TOLERANCES: ±1/4"
 ANGULAR: ±.5°
 ONE PLACE DECIMAL: ±.25
 TWO PLACE DECIMAL: ±.125
 THREE PLACE DECIMAL: ±.063

TANK MATERIAL: **LLDPE**
 INNER TANK S/N:
 OUTER TANK S/N:
 CUSTOMER PO#

DO NOT SCALE DRAWING

NAME	DATE
KRI	08/22/23
DRAWN	
CHECKED	
ENG APPR.	
MFG APPR.	
Q.A.	

ALTERNATIVE VERSIONS

MATERIALS: XLPE, PPL, PVDF
COLORS: NATURAL, BLUE OR BLACK
 AVAILABLE WITH FRP WRAP

CALL FOR PART NUMBERS

PEABODY
 670 783 9122

PROJECT: **GEMINI DUAL CONTAINMENT TANKS**
 CUSTOMER: **PEABODY STANDARD**
 SITE/LOCATION:
 DRAWING#:

SIZE	DESC.	REV.
B	420 GALLON GEMINI TANK, Ø48"X80"	A

SCALE: 1:16 SHEET 1 OF 1