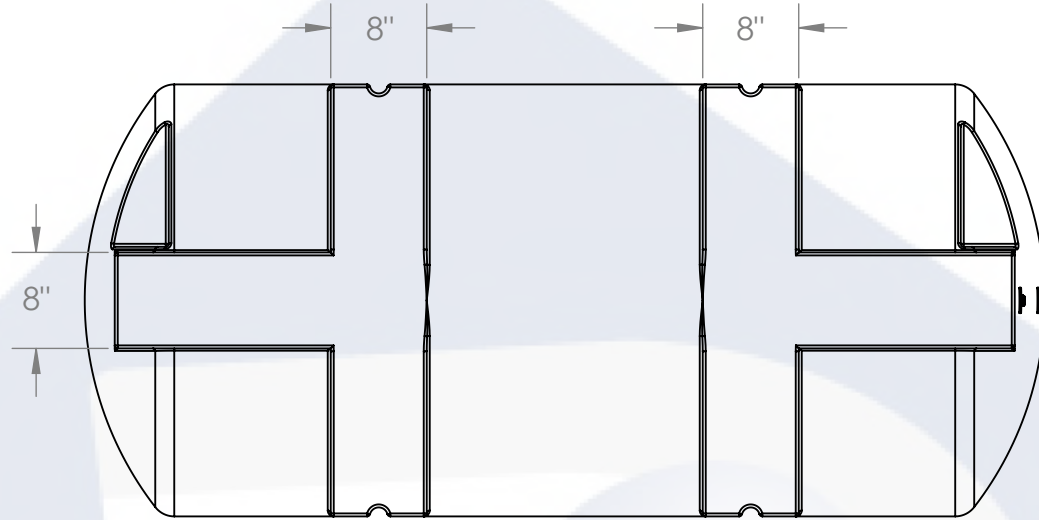
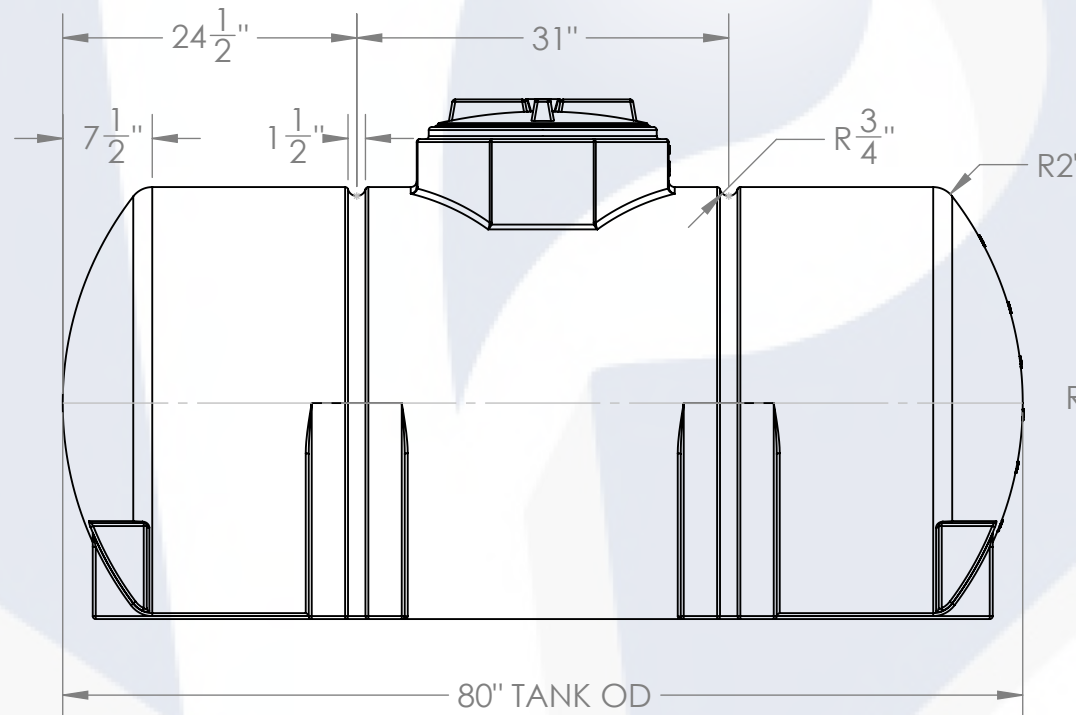


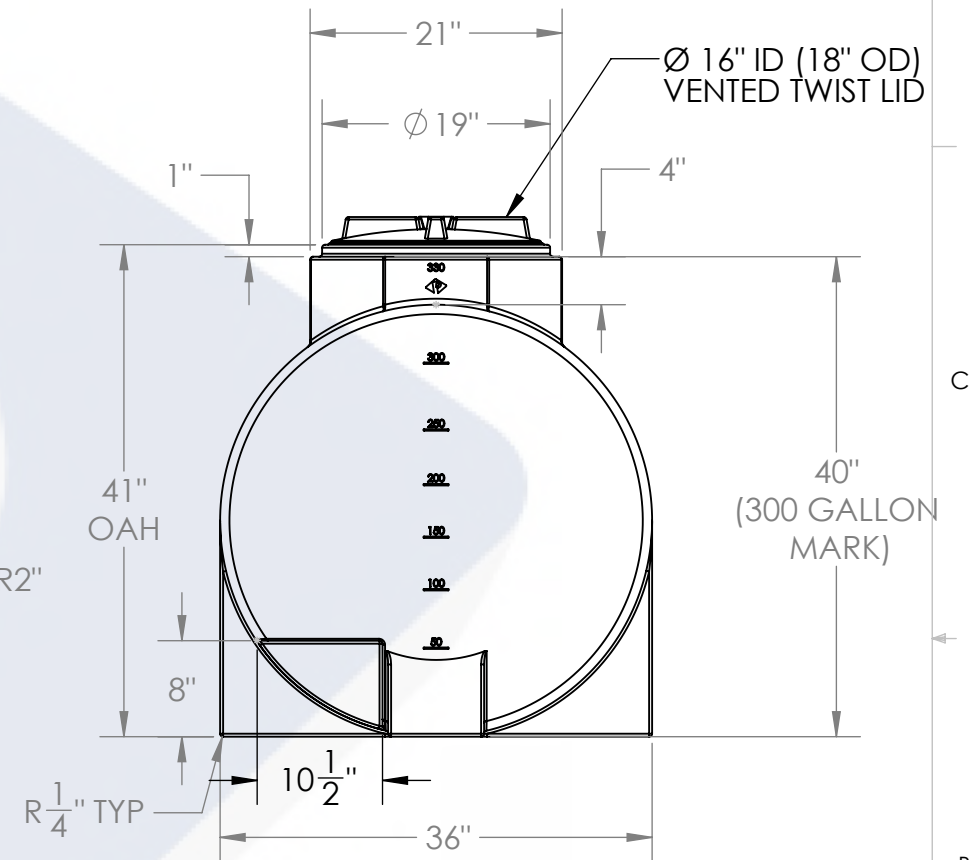
ISOMETRIC VIEW



BOTTOM VIEW



SIDE VIEW



FRONT VIEW

NOTES:

1. CAPACITY: 330 GAL. NOMINAL
2. APPROXIMATE WEIGHT: 90 LBS
3. TANK MATERIAL: LLDPE W/ UV INHIBITOR
4. SERVICE PRESSURE: ATMOSPHERIC

330G HORIZONTAL PROCHEM	PART NUMBER		
	PROCESS CHEMICAL (NATURAL)	POTABLE WATER (BLACK)	WEIGHT (LBS)
LPE (1.5)	01-35526	N/A	90
LPE (1.9)	01-35531	N/A	100
XLPE (1.9)	01-35537	N/A	N/A
ALTERNATIVE MATERIALS, COLOR, AND ACCESSORIES ARE AVAILABLE. CALL FOR ADDITIONAL INFO			

PROPRIETARY AND CONFIDENTIAL
 THE INFORMATION CONTAINED IN THIS DRAWING IS THE SOLE PROPERTY OF PEABODY ENGINEERING. ANY REPRODUCTION IN PART OR AS A WHOLE WITHOUT THE WRITTEN PERMISSION OF PEABODY ENGINEERING IS PROHIBITED.

UNLESS OTHERWISE SPECIFIED:

DIMENSIONS ARE IN INCHES
 TOLERANCES: ±1/4"
 ANGULAR: ±.5°
 ONE PLACE DECIMAL: ±.25
 TWO PLACE DECIMAL: ±.125
 THREE PLACE DECIMAL: ±.063

TANK MATERIAL: LPE 1.5

INNER TANK S/N:

OUTER TANK S/N:

CUSTOMER PO#

DO NOT SCALE DRAWING

	NAME	DATE
DRAWN	JO	04/01/24
CHECKED		
ENG APPR.		
MFG APPR.		
Q.A.		

ALTERNATIVE VERSIONS

MATERIALS: XLPE, PPL, PVDF
COLORS: NATURAL, BLUE OR BLACK
 AVAILABLE WITH FRP WRAP

CALL FOR PART NUMBERS



PROJECT: 330G HORIZONTAL PROCHEM

CUSTOMER: PEABODY STANDARD

SITE/LOCATION:

DRAWING#:

SIZE	DESC.	REV.
B	330G HORIZONTAL PROCHEM	A

SCALE: 1:16

SHEET 1 OF 1