

8

7

6

5

4

3

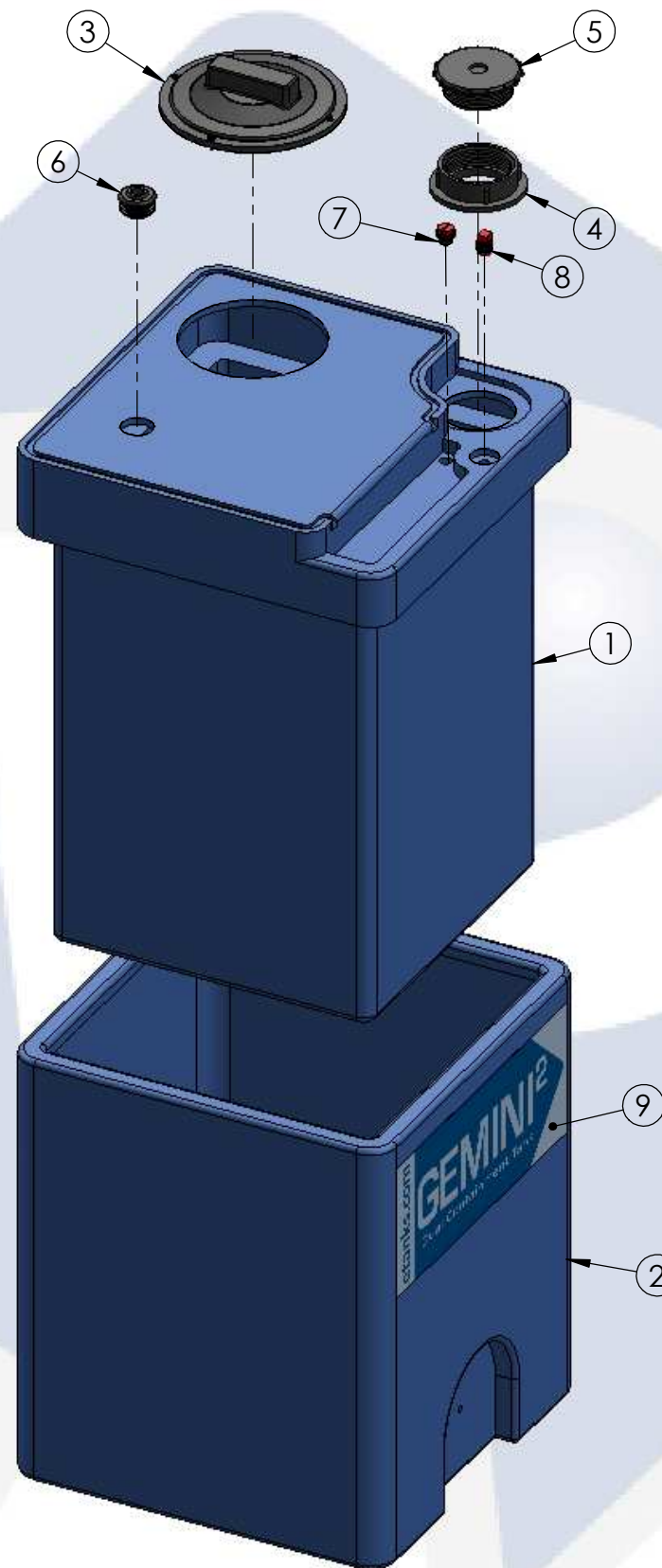
2

1

10 GALLON GEMINI ²	PART NUMBER	
	BLUE	NATURAL
STANDARD (1.5 SPG)	01-29816	01-29820
HD (1.9 SPG)	01-30044	01-30048



ISO VIEW
(ASSEMBLED)



TRIMETRIC VIEW
(EXPLODED)

ITEM NO.	DESCRIPTION	QTY.
1	10G GEMINI ² , INNER TANK	1
2	10G GEMINI ² , OUTER TANK	1
3	4" TWIST LID ASSEMBLY	1
4	2" FNPT SPIN WELD FITTING, PE	1
5	2" THREADED PLUG, PE	1
6	1 1/4" CAPPLUG / GROMMET SUB-ASSY	1
7	RED CAPPLUG / O-RING SUB-ASSY	1
8	PLUG, 1/4" NPT, RED CAPPLUG	1
9	LOGO	1

NOTES:

- CAPACITY: 10 GAL. NOMINAL
- APPROXIMATE WEIGHT: 15 LBS
- TANK MATERIAL: LLDPE W/ UV INHIBITOR
- SERVICE PRESSURE: ATMOSPHERIC

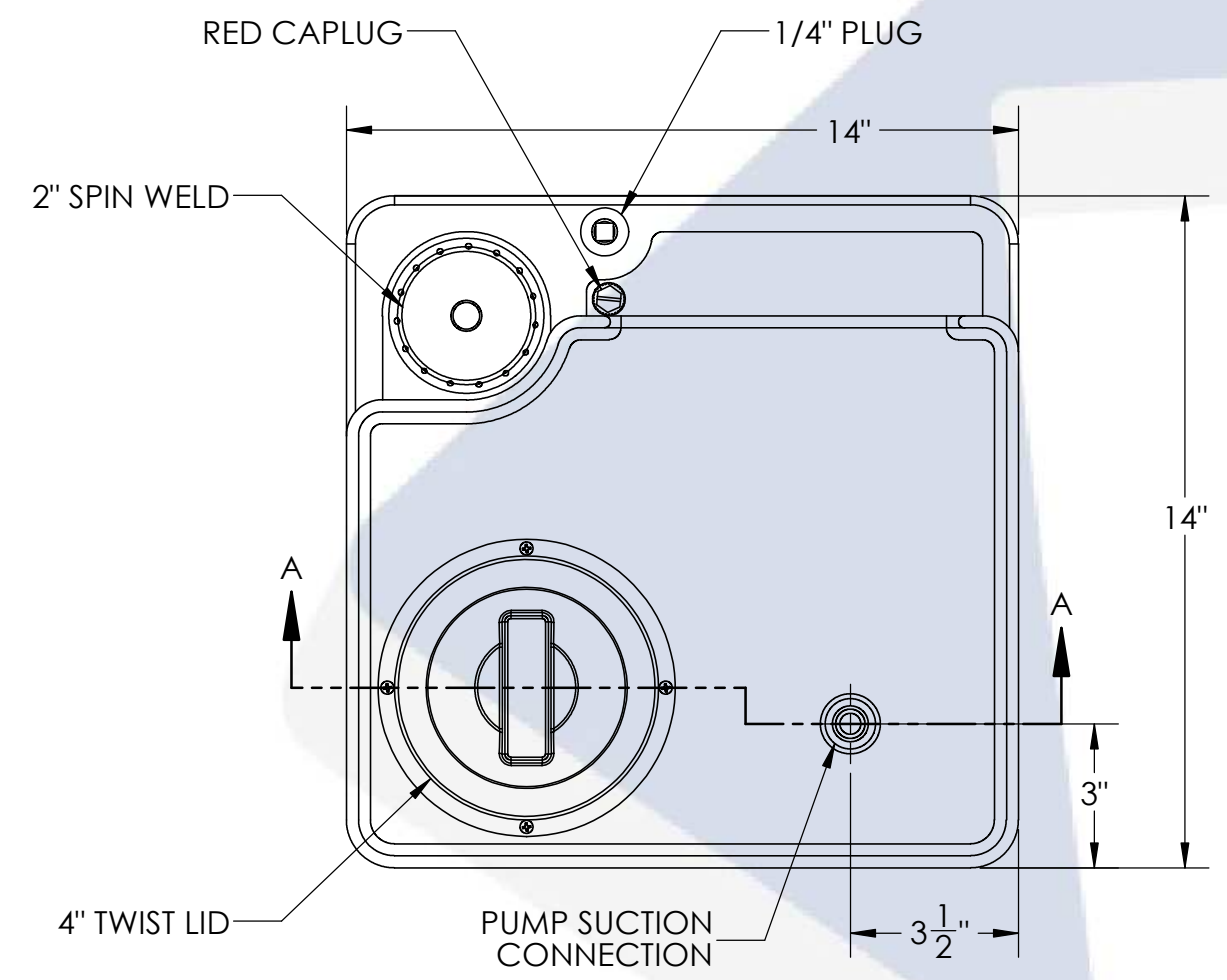
PROPRIETARY AND CONFIDENTIAL
THE INFORMATION CONTAINED IN THIS DRAWING IS THE SOLE PROPERTY OF PEABODY ENGINEERING. ANY REPRODUCTION IN PART OR AS A WHOLE WITHOUT THE WRITTEN PERMISSION OF PEABODY ENGINEERING IS PROHIBITED.

UNLESS OTHERWISE SPECIFIED:		NAME	DATE							
DIMENSIONS ARE IN INCHES TOLERANCES: ±1/4" ANGULAR: ± .5° ONE PLACE DECIMAL: ± .25 TWO PLACE DECIMAL: ± .125 THREE PLACE DECIMAL: ± .063		DRAWN	MSM 11/25/13							
TANK MATERIAL:	LLDPE	CHECKED		PROJECT: 10 GALLON GEMINI ² ASSEMBLY						
INNER TANK S/N:		ENG APPR.		CUSTOMER: PEABODY STANDARD						
OUTER TANK S/N:		MFG APPR.		SITE/LOCATION: -						
CUSTOMER PO#		Q.A.		DRAWING#: SEE TABLE						
DO NOT SCALE DRAWING		ALTERNATIVE VERSIONS MATERIALS: XLPE, PPL, PVDF COLORS: NATURAL, BLUE OR BLACK AVAILABLE WITH FRP WRAP CALL FOR PART NUMBERS		<table border="1"> <tr> <td>SIZE</td> <td>DESC.</td> <td>REV.</td> </tr> <tr> <td>B</td> <td>PEABODY 10 GALLON GEMINI²</td> <td>C</td> </tr> </table>	SIZE	DESC.	REV.	B	PEABODY 10 GALLON GEMINI ²	C
SIZE	DESC.	REV.								
B	PEABODY 10 GALLON GEMINI ²	C								
SCALE: 1:8				SHEET 1 OF 2						

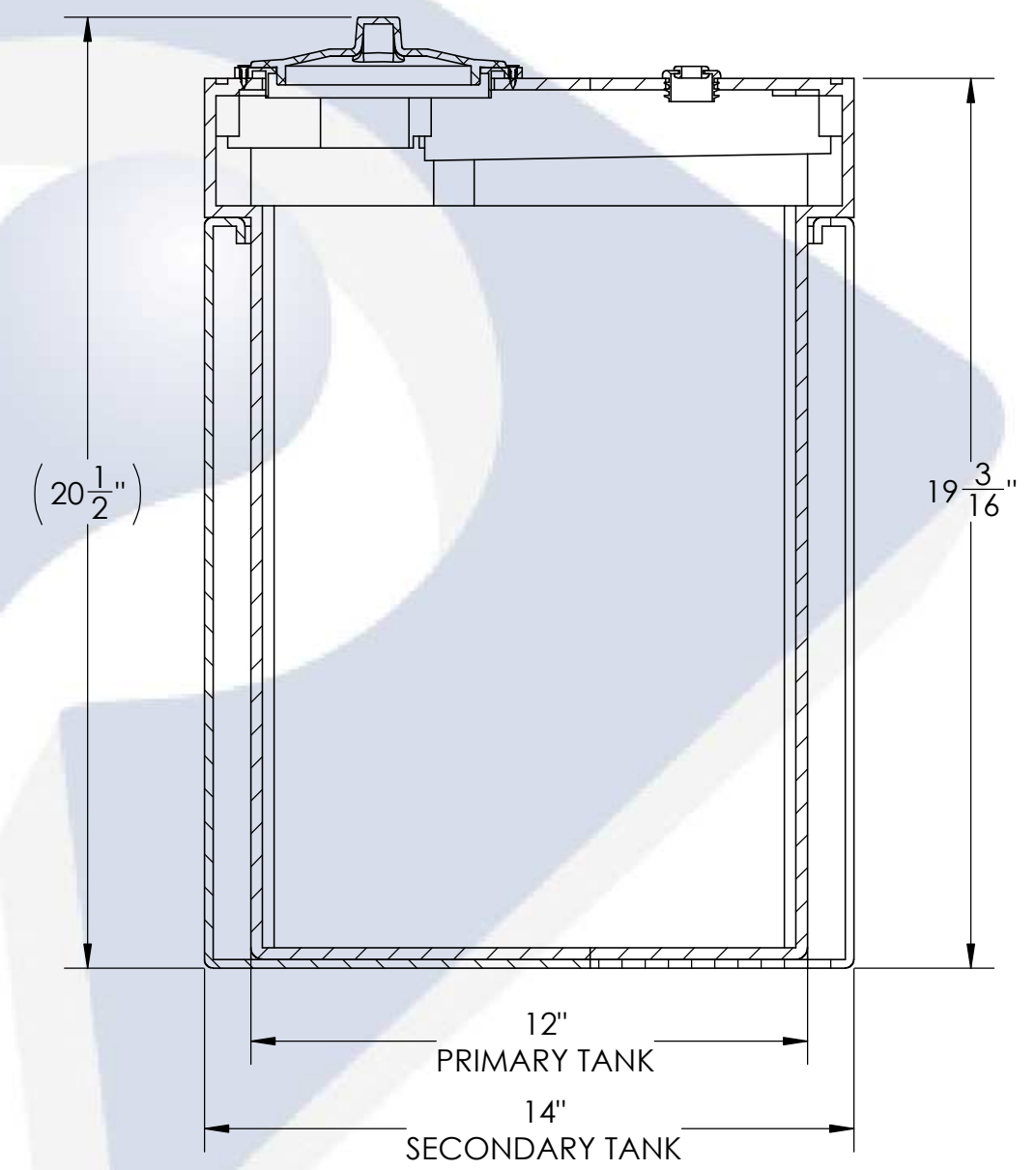
8 7 6 5 4 3 2 1

D
C
B
A

D
C
B
A



PLAN VIEW



SECTION A-A
SCALE 1 : 4

8 7 6 5 4 3 2 1



PROJECT:
10G GEMINI², ASSEMBLY FOR CUSTOMER, REV.C

SCALE: 1:8

SHEET 2 OF 2