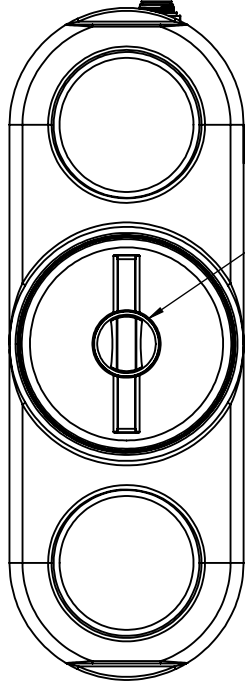
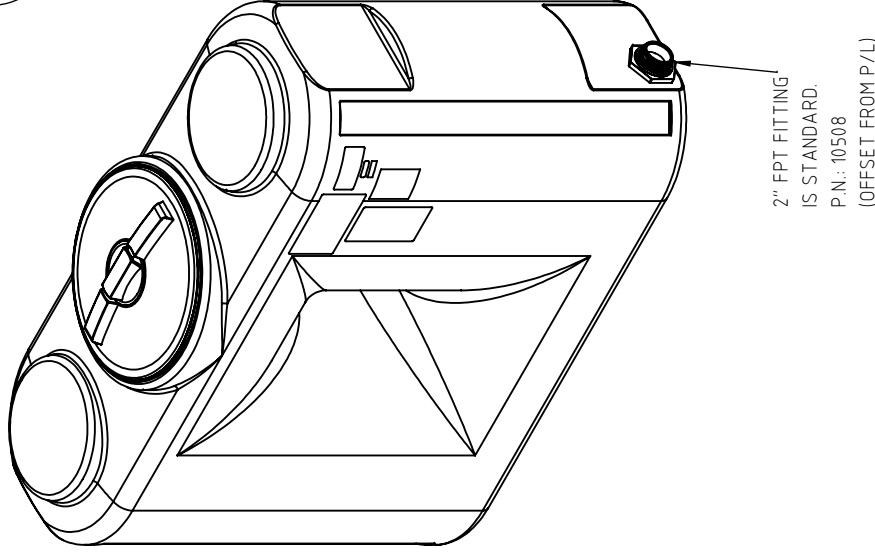
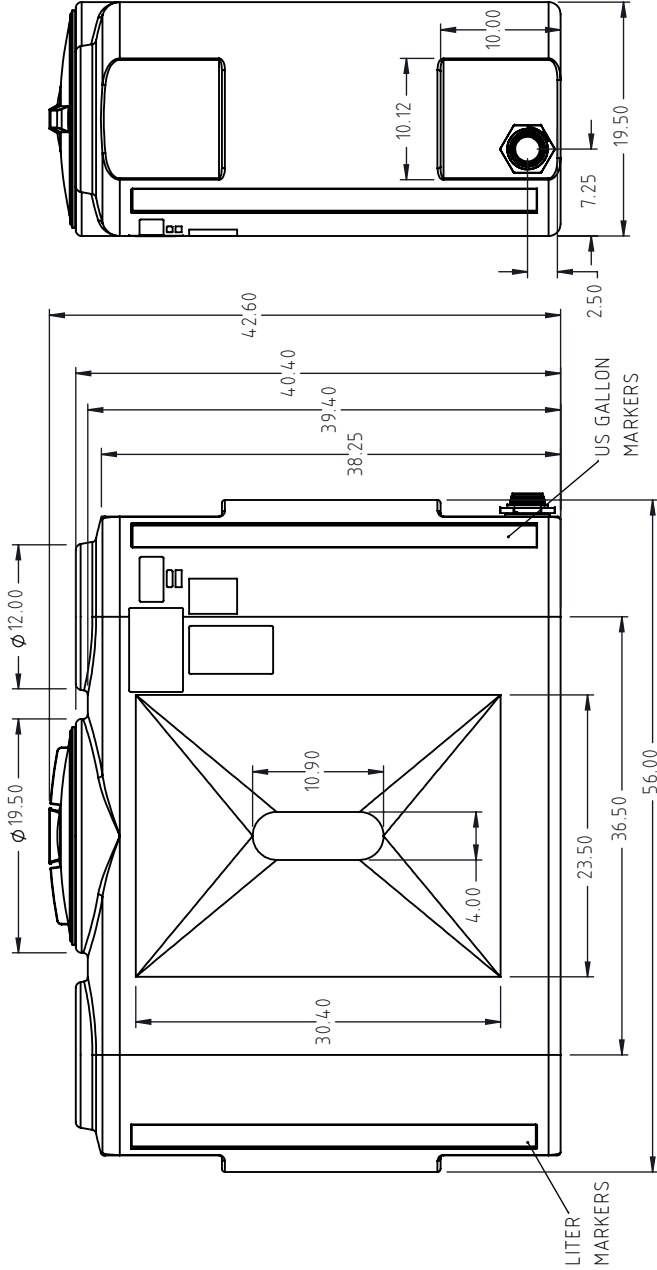


Copyright: All information furnished within this document, electronic file or design correspondence is the property of Den Hartog Industries, Inc. and shall not be used, disclosed to others or copied without the expressed written consent of Den Hartog Industries, Inc.



16" VENTED LID
P.N.: 10528



REV.	DESCRIPTION	BY	DATE	CCN
	ALL DIMENSIONS ARE IN DECIMAL INCHES TOLERANCES UNLESS OTHERWISE SPECIFIED			
	POLYETHYLENE ±1% @ 68°F			
	METAL DECIMAL ± .125" FRACTION ± 1/4" ANGLE ± 1°			
		THIRD ANGLE PROJECTION ANSI 14.5B		

DRAWN / DATE	SAS 10/10/2023
APPRD. / DATE	BES 11/16/2023
SHOT WEIGHT: 75 LBS.	
SHIPPING WEIGHT: 79 LBS.	
FINISH:	

MATERIAL :	10420
NOTES:	1.) NOM. WALL 0.300"

DESCRIPTION	SP, UTILITY 130 GAL
SCALE	N.S.
PART NO.	SP0130-UT
SHEET	1 OF 1



Den Hartog
INDUSTRIES, INC.

Ace Roto-Mold • Injection Molding • Blow Molding • Sowjoy
4010 HOSPERS DRIVE S. BOX 425, HOSPERS, IOWA 51238-0425