

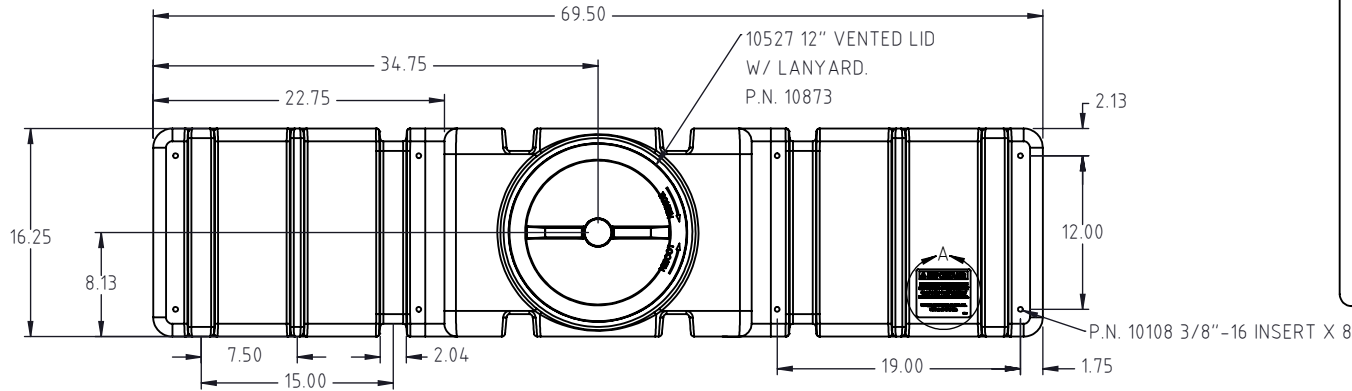
Copyright. All information furnished within this document, electronic file or design correspondence is the property of Den Hartog industries, Inc. and shall not be used, disclosed to others or copied without the expressed written consent of Den Hartog Industries, Inc.

⚠ IMPORTANT:

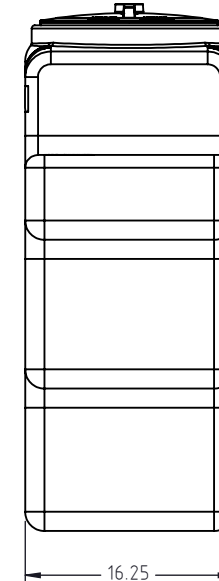
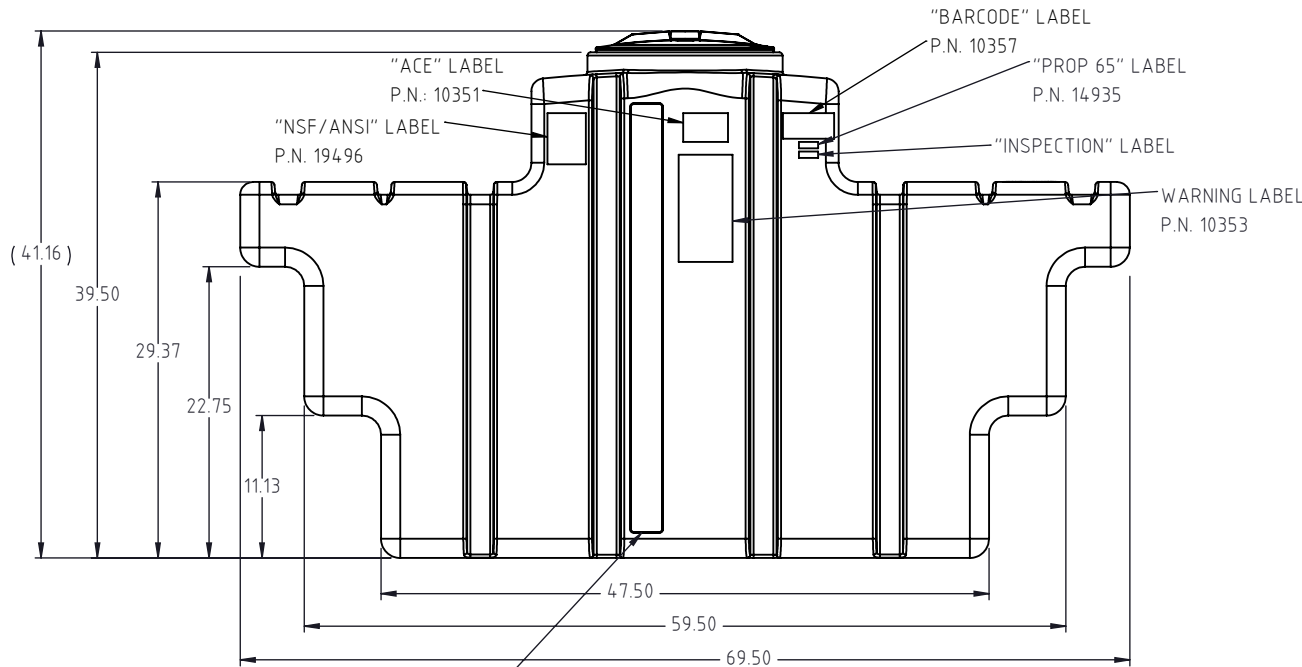
USE ALL INSERTS AVAILABLE ON EACH SIDE OF TANK TO SECURE FRAMEWORK OR MOUNTING PLATE FOR ENGINE/PUMP AND HOSE REEL IF SO EQUIPPED.

TORQUE ALL BOLTS TO 12-15 FT. LBS. WITH LOCK WASHERS.

14739



LABEL P.N.: 14723
DETAIL A
SCALE 1: 2



DRAWN / DATE ADH 6/19/2024	MATERIAL: 14575 1.7 MELT
APPRD. / DATE BES 7/9/2024	
SHOT WEIGHT: 84 LBS	NOTES: 1.) 0.325" WALL
SHIPPING WEIGHT: 86 LBS	
FINISH:	



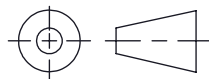
Den Hartog INDUSTRIES, INC.

Ace Roto-Mold • Injection Molding • Blow Molding • Sowjoy
4010 HOSPERS DRIVE S. BOX 425, HOSPERS, IOWA 51238-0425

DESCRIPTION 100 GALLON SPACE SAVER TANK		SHEET 1 OF 1
SCALE N.S.	PART NO. SSPU0100-70	

ALL DIMENSIONS ARE IN DECIMAL INCHES TOLERANCES UNLESS OTHERWISE SPECIFIED

THIRD ANGLE PROJECTION
ANSI 14.5M



POLYETHYLENE
±1% @ 68°F

METAL
DECIMAL ± .125"
FRACTION ± 1/4"
ANGLE ± 1°