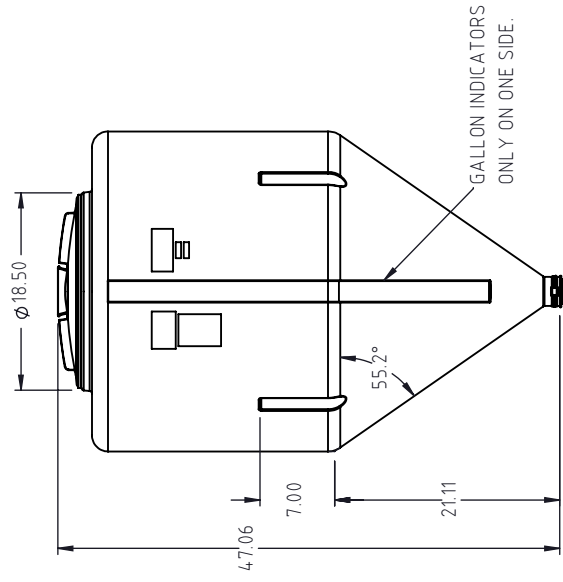
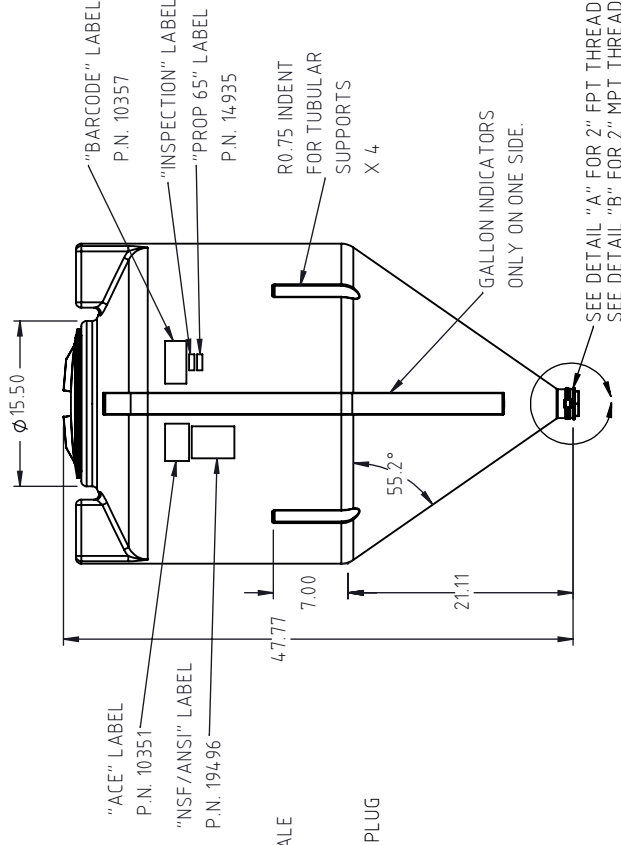
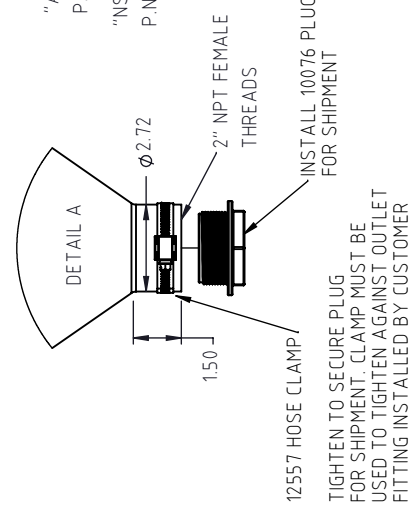
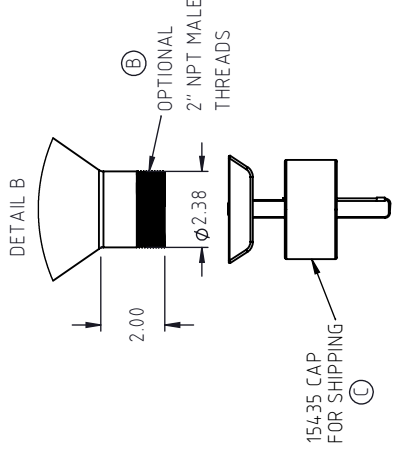
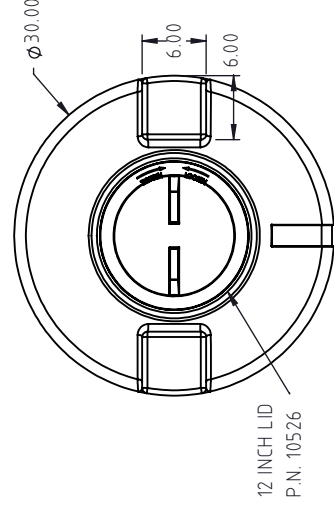
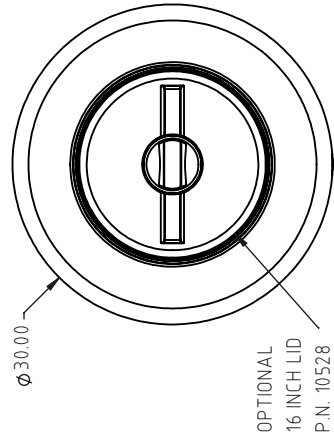


Copyright: All information furnished within this document, electronic file or design correspondence is the property of Den Hartog Industries, Inc. and shall not be used, disclosed to others or copied without the expressed written consent of Den Hartog Industries, Inc.



Den Hartog INDUSTRIES, INC.

Ace Roto-Mold • Injection Molding • Blow Molding • Sowjoy
4010 HOSPERS DRIVE S. BOX 425, HOSPERS, IOWA 51238-0425

Ⓑ

MATERIAL : LLDPE

DRAWN / DATE
DHJ 10/26/2005

BES 10/11/2024 4648

C 15435 WAS SC2.00RD-4 CAP.

APPRD. / DATE
DHJ 6/22/2009

SRA 8/26/24 4542

B ADDED ANGLE AND UPDATED LAYOUT. ADDED MALE THREAD DETAIL

SHOT WEIGHT: 35.0 LBS

ADH 2/1/2023 4384

A BOM TABLE ADDED "16" LID DETAIL SHEET ADDED.

SHIPPING WEIGHT: 37.0 LBS

BY DATE CCN

REV. DESCRIPTION

NOTES:
1) 0.23" NOM. WALL

FINISH:



POLYETHYLENE METAL
DECIMAL ± .125"
FRACTION ± 1/4"
ANGLE ± 1°

DESCRIPTION 85 GALLON FULL DRAIN INDUCTOR TANK

SCALE N.S.

PART NO INFD85-30

SHEET 1 OF 1