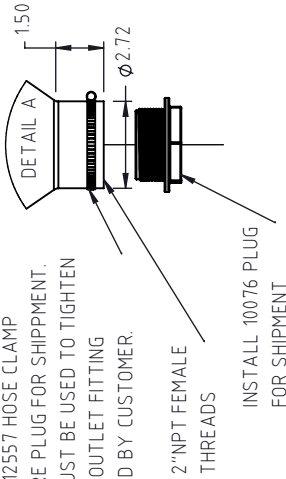


Copyright: All information furnished within this document, electronic file or design correspondence is the property of Den Hartog Industries, Inc. and shall not be used, disclosed to others or copied without the expressed written consent of Den Hartog Industries, Inc.

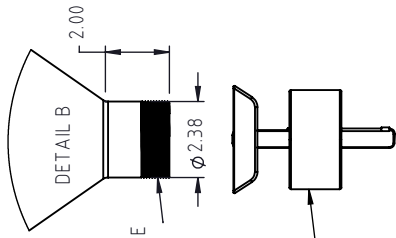
TIGHTEN 12557 HOSE CLAMP TO SECURE PLUG FOR SHIPMENT. CLAMP MUST BE USED TO TIGHTEN AGAINST OUTLET FITTING INSTALLED BY CUSTOMER.



2" NPT FEMALE THREADS

INSTALL 10076 PLUG FOR SHIPMENT

OPTIONAL 2" NPT MALE THREADS

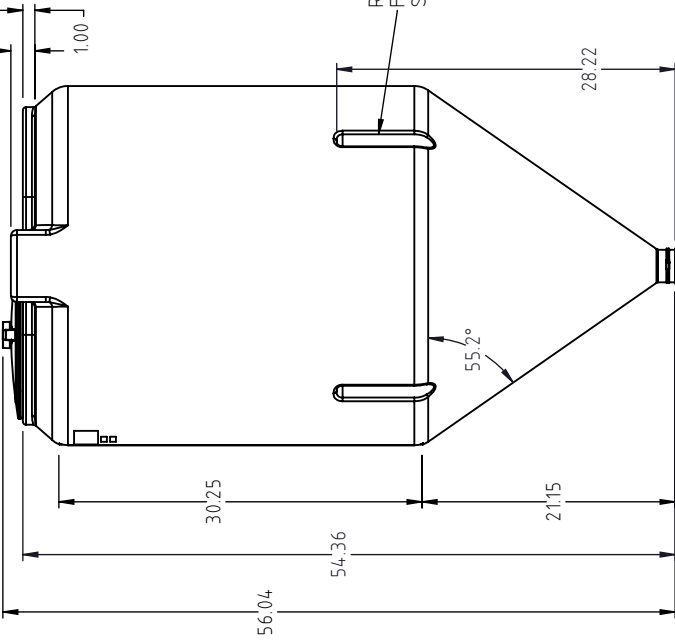


15435 CAP FOR SHIPPING

"ACE" LABEL
P.N. 10352
"WARNING" LABEL
P.N. 10353
"NSF/ANSI" LABEL
P.N. 19496

"BARCODE" LABEL
P.N. 10357
"INSPECTION" LABEL
"PROP. 65" LABEL
P.N. 14935

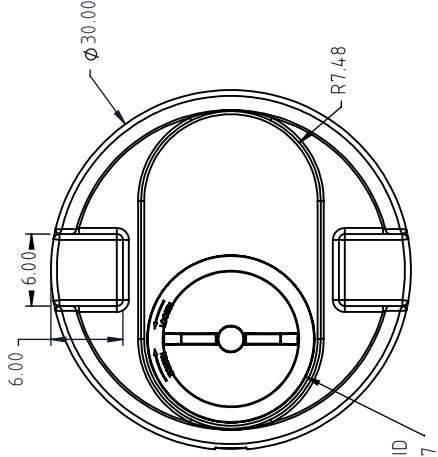
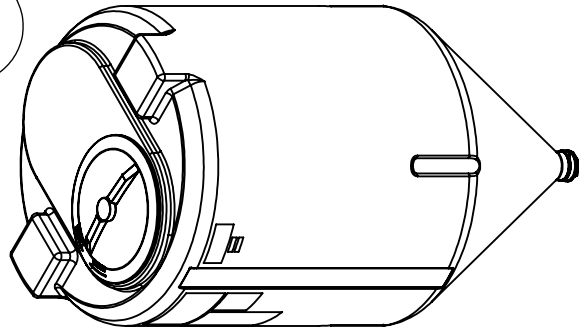
GALLON MARKER



SEE DETAIL "A" FOR 2" FPT THREADS
SEE DETAIL "B" FOR 2" MPT THREADS

INFD110-30

D



Den Hartog INDUSTRIES, INC.

Ace Roto-Mold • Injection Molding • Blow Molding • Sowjoy
4010 HOSPERS DRIVE S. BOX 425, HOSPERS, IOWA 51238-0425

©

MATERIAL : LLDPE

DRAWN / DATE

DHJ 10/26/2009

APPRD. / DATE

REH 11/2/2009

NOTES:

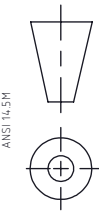
1.) 0.20" NOM. WALL

SHOT WEIGHT: 4.20 LBS

SHIPPING WEIGHT: 44.0 LBS

FINISH:

THIRD ANGLE PROJECTION
ANSI 14.5W



ALL DIMENSIONS ARE IN DECIMAL INCHES
TOLERANCES UNLESS OTHERWISE SPECIFIED

POLYETHYLENE METAL
DECIMAL ± .125"
FRACTION ± 1/4"
ANGLE ± 1°

DESCRIPTION 110 GALLON FULL DRAIN INDUCTOR TANK

SCALE N.S.

PART NO. INFD110-30

SHEET 1 OF 1