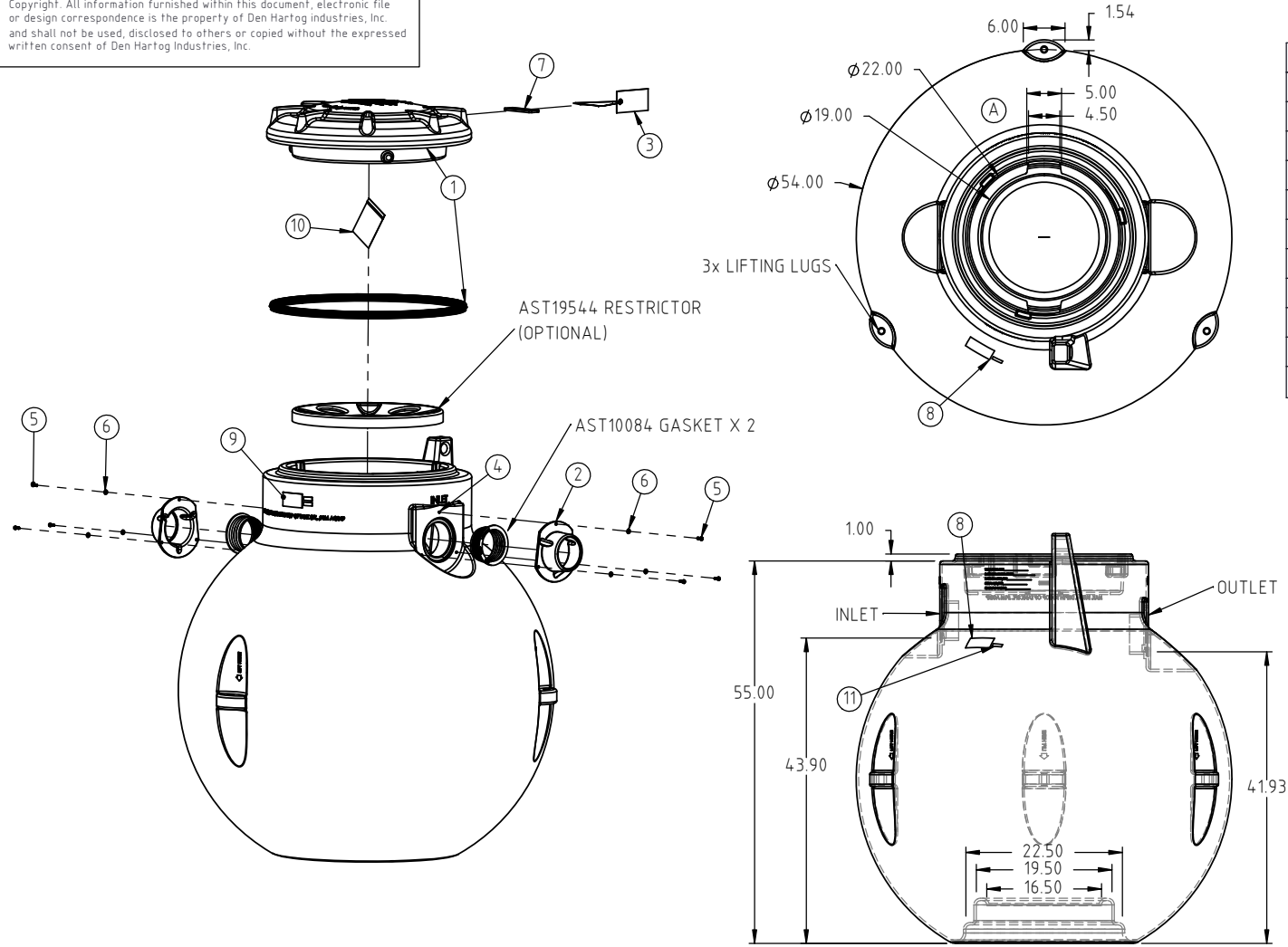


Copyright. All information furnished within this document, electronic file or design correspondence is the property of Den Hartog Industries, Inc. and shall not be used, disclosed to others or copied without the expressed written consent of Den Hartog Industries, Inc.



KEY	PART NUMBER	DESCRIPTION	QTY.
1	AST19211	LID, 24" SEPTIC BLACK W/GASKET	1
2	AST19153	CLAMP, STABILIZER	2
3	11113	TAG, 6-1/4" X 3-1/8" TYVEK	1
4	10083	INSERT, 1/4"-20X7/16" T-NUT	6
5	10087	BOLT, 1/4" X 3/4" HEX GR5 ZINC	6
6	10626	WASHER, 1/4" FLAT ZINC	6
7	19318	TIE STRAP, 14" NYLON BLACK	1
8	10357	LABEL, BARCODE 4" X 2"	1
9	10208	LABEL, NOT FOR POTABLE WATER	1
10	19255	INSTRUCTION, SPHERICAL	1
11	14935	LABEL, PROP 65	1

				DRAWN / DATE DHJ 3/17/04	MATERIAL POLYETHYLENE
A	PRINT LAYOUT UPDATED.	ADH 7/19/19	3817	APPRD. / DATE ADH 11/20/07	
REV	DESCRIPTION	BY / DATE	CCN		
ALL DIMENSIONS ARE IN DECIMAL INCHES TOLERANCES UNLESS OTHERWISE SPECIFIED		THIRD ANGLE PROJECTION ANSI 14.5M		SHOT WEIGHT: 120.00 LBS	NOTES: 1.) YELLOW
POLYETHYLENE		METAL DECIMAL ± .125" FRACTION ± 1/4" ANGLE ± 1°		SHIPPING WEIGHT: 137.00 LBS	
±1% @ 68°F				FINISH:	



**Den Hartog**  
INDUSTRIES, INC.

Ace Roto-Mold Injection Molding Blow Molding Sowjoy

4010 HOSPERS DRIVE S. BOX 425, HOSPERS, IOWA 51238-0425

DESCRIPTION 300 GALLON PUMP TANK	
SCALE N.S.	PART NO. AST-0300-1