

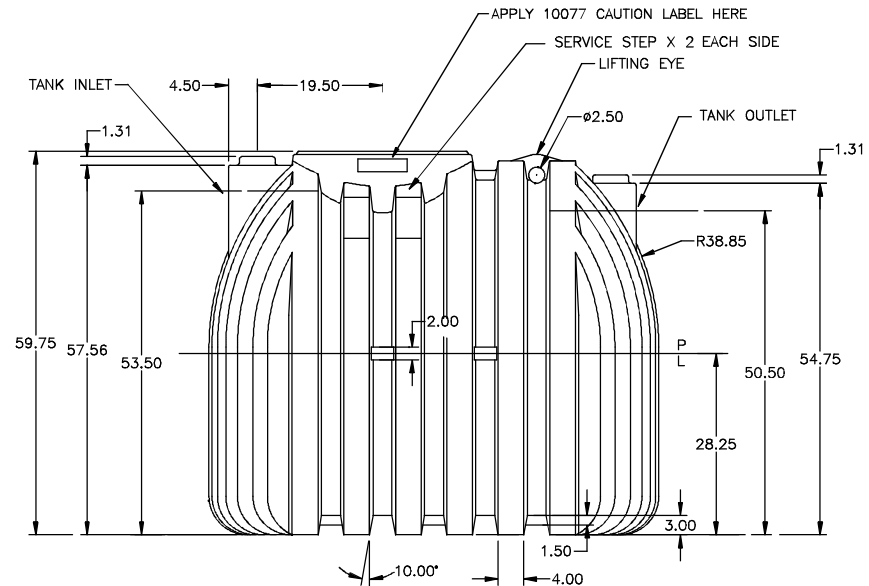
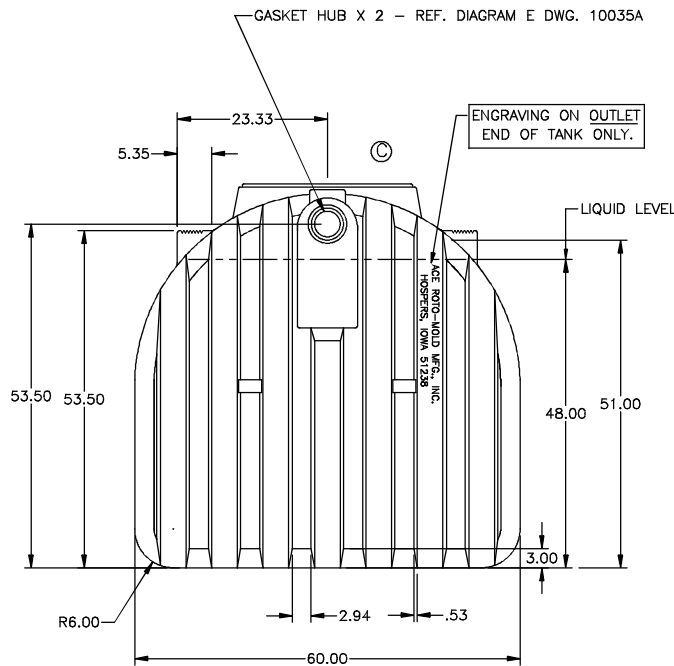
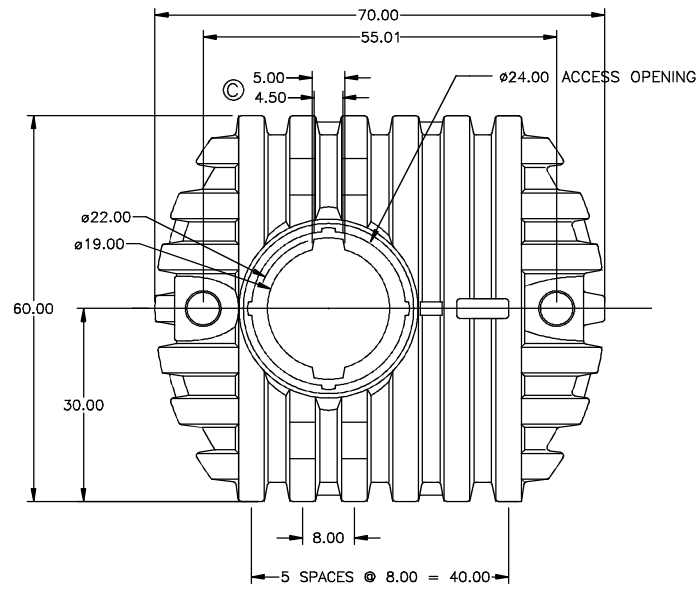
PROPRIETARY DATA

PROPERTY OF ACE ROTO-MOLD MFG., INC. INFORMATION FURNISHED HEREIN IS THE PROPERTY OF ACE ROTO-MOLD MFG., INC. AND SHALL NOT BE USED, DISCLOSED TO OTHERS, OR COPIED WITHOUT THE EXPRESSED WRITTEN CONSENT OF ACE ROTO-MOLD MFG., INC. ALL RIGHTS RESERVED.

REFERENCE PUBLICATION 10039 FOR SEPTIC TANKS OR PUBLICATION 10149 FOR CISTERN TANKS FOR SPECIFIC INSTALLATION GUIDELINES.

10066

C



C	RESTRICTOR FEATURES ADDED TO LID OPENING. CAPACITY NOTE REMOVED.	ADH 2/25/16	3205	DRAWN / DATE	MATERIAL	ACE ROTO-MOLD MFG. 4010 HOSPERS DRIVE S. BOX 425, HOSPERS, IOWA 51238-0425	
B	CHANGED WEIGHT TO 245 LBS.	7/12/06	NVE	REH / 9/24/98			
A	ADDED PUBLICATION REF	9/30/05	NVE	APPRD. / DATE	MOBIL 111 HDPE OR EQUIVALENT REFERENCE MATERIAL DATA SHEET FOR SPECIFIC PROPERTIES.	CLIENT / DESCRIPTION 750 GAL. SINGLE COMPARTMENT SEPTIC TANK	
REV	DESCRIPTION	DATE	APPRD	REH / 9/24/98			
ALL DIMENSIONS ARE IN DECIMAL INCHES TOLERANCES UNLESS OTHERWISE SPECIFIED ± 1% @ 68° F				THIRD ANGLE PROJECTION ANSI 14.5M	NOTES: 1. NOM. WALL @ .250 2. YELLOW COLOR 3. TANK SHOT WEIGHT 245 LBS. 4. TANK + LID WEIGHT: 262 LBS.	SCALE N.S.	PART NO. AST-750-1