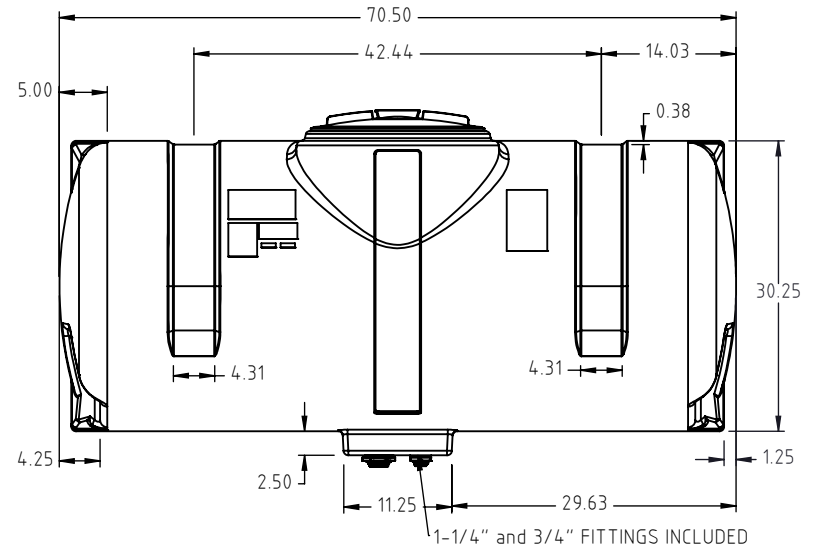
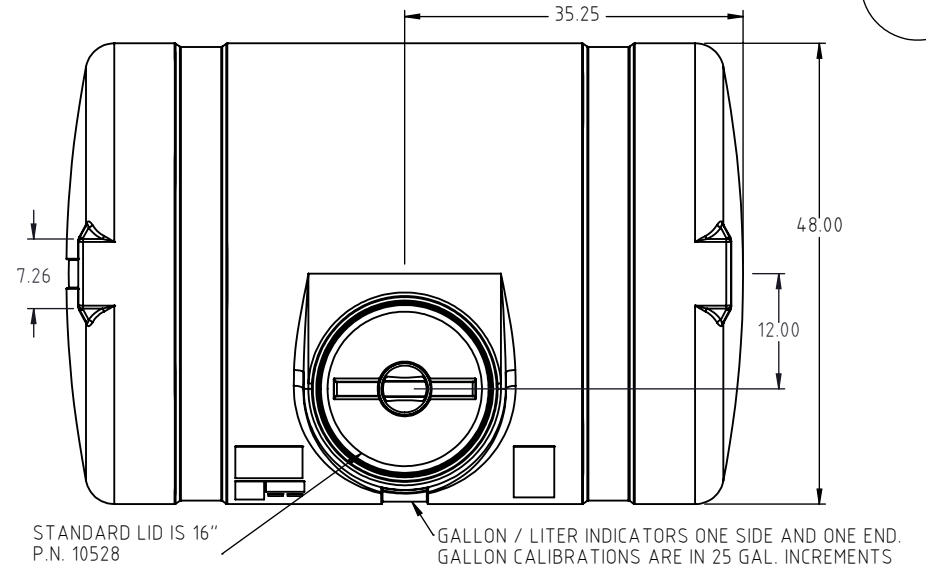
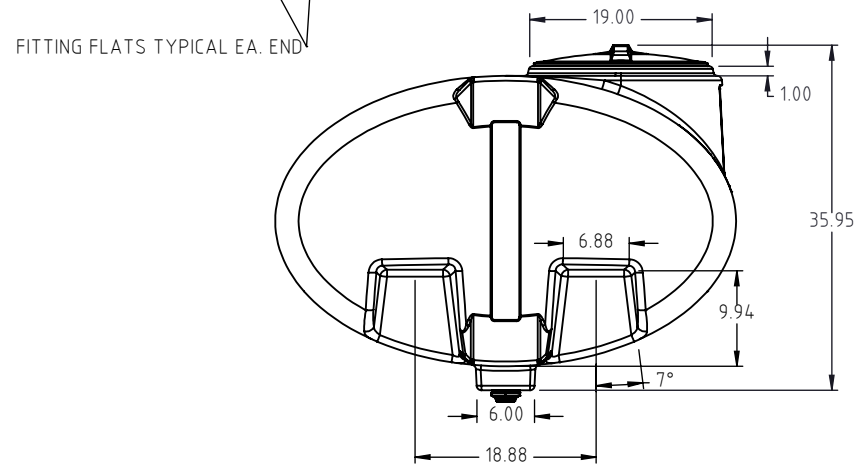
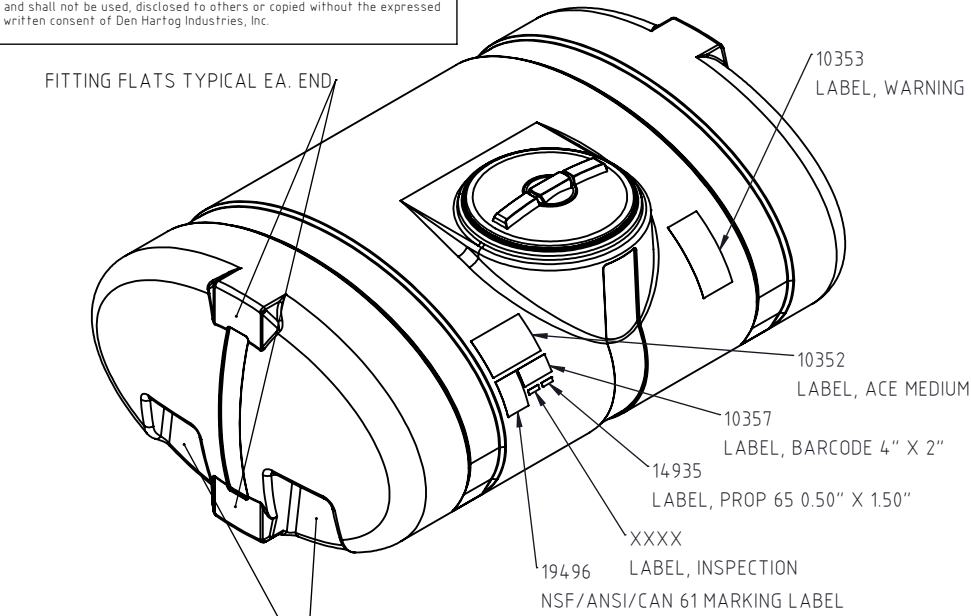


Copyright. All information furnished within this document, electronic file or design correspondence is the property of Den Hartog industries, Inc. and shall not be used, disclosed to others or copied without the expressed written consent of Den Hartog Industries, Inc.



DRAWN / DATE ADH 9/6/2023	MATERIAL: LLDPE
APPROD. / DATE BES 5/1/2024	
SHOT WEIGHT: 112.00 LBS.	NOTES: NOMINAL WALL THICKNESS: 0.300
SHIPPING WEIGHT: 114.00 LBS.	
FINISH:	



Den Hartog INDUSTRIES, INC.

Ace Roto-Mold • Injection Molding • Blow Molding • Sowjoy
4010 HOSPERS DRIVE S. BOX 425, HOSPERS, IOWA 51238-0425

REV.	DESCRIPTION	BY	DATE	CCN
ALL DIMENSIONS ARE IN DECIMAL INCHES TOLERANCES UNLESS OTHERWISE SPECIFIED				
POLYETHYLENE		THIRD ANGLE PROJECTION ANSI 14.5M		
METAL DECIMAL ± .125" FRACTION ± 1/4" ANGLE ± 1°				
±1% @ 68°F				

DESCRIPTION EO, ELLIPTICAL OFFSET LID 300 GAL TANK		
SCALE N.S.	PART NO. E00300-48	SHEET 1 OF 1