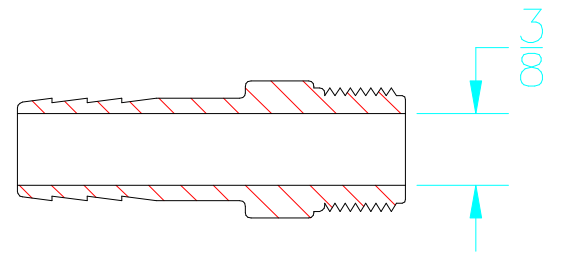
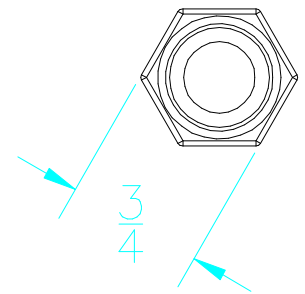
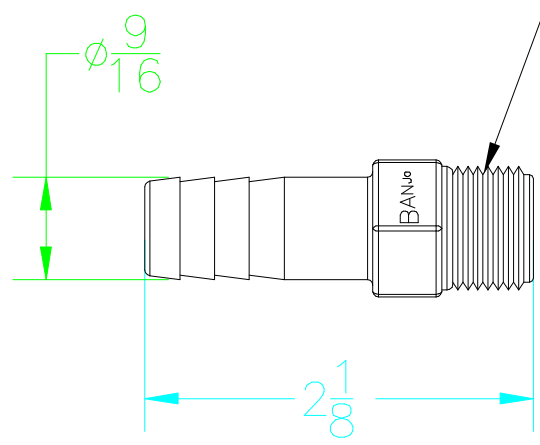



3/8" NPT PER  
ANSI B2.1-1968



 LIQUID HANDLING PRODUCTS	
BANJO CORPORATION 150 BANJO DR. * CRAWFORDSVILLE, IN 47933	
PART NO.	HB038050SS
TITLE	3/8" MNPT X 1/2" HOSE BARB 316 SS

THIS DRAWING AND ALL INFORMATION  
CONTAINED THEREON ARE THE EXCLUSIVE  
PROPERTY OF BANJO CORPORATION.  
UNLESS SPECIFICALLY NOTED, THIS  
DRAWING AND ITEMS SHOWN ON THIS  
DRAWING ARE SUBJECT TO CHANGE  
AT ANY TIME.