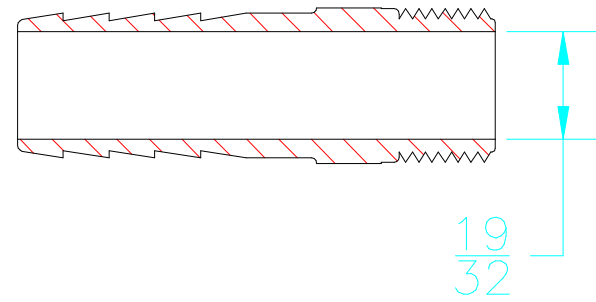
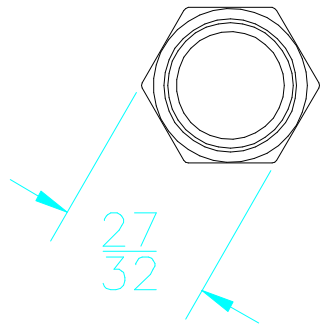
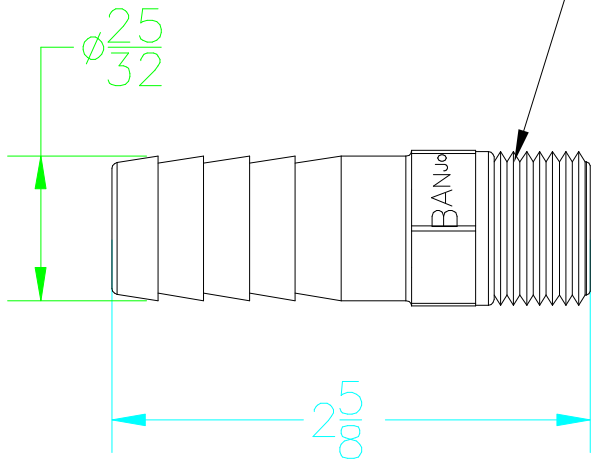


1/2" NPT PER
ANSI B2.1-1968



THIS DRAWING AND ALL INFORMATION
CONTAINED THEREON ARE THE EXCLUSIVE
PROPERTY OF BANJO CORPORATION.
UNLESS SPECIFICALLY NOTED, THIS
DRAWING AND ITEMS SHOWN ON THIS
DRAWING ARE SUBJECT TO CHANGE
AT ANY TIME.



BANJO CORPORATION
150 BANJO DR. * CRAWFORDSVILLE, IN 47933

PART NO.
HB050075SS

TITLE
1/2" MNPT X 3/4" HOSE BARB 316 SS